

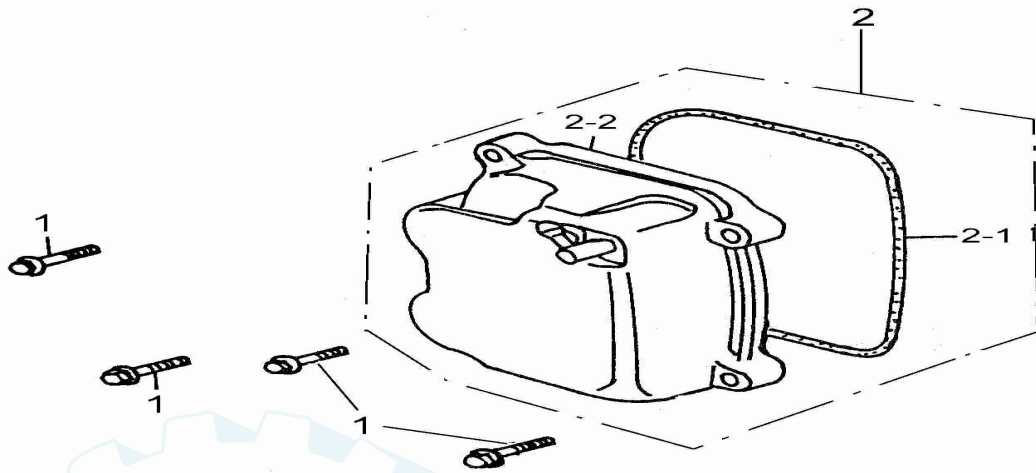
## Ersatzteilbuch Cobra Utility 180

- 1     Kühlung
- 2     Zylinderkopfabdeckung
- 3     Nockenwelle, Ventie, Zylinderkopf
- 3a    Nockenwelle, Ventie, Zylinderkopf
- 4     Kettenspanner, Kette
- 5     Zylinder
- 6     Ölkühler, Kurbelgehäuseabdeckung rechts
- 7     Ölpumpe
- 8     Kickstarterarm, Kurbelgehäuseabdeckung links
- 9     Antrieb, Variomatik
- 10    Antrieb, Kupplung
- 11    Getriebe
- 11a   Getriebe
- 11b   Getriebe
- 12    Kurbelgehäuse
- 13    Kolben, Kurbelwelle
- 14    Luftfilter
- 15    Vergaser, Auspuff
- 16    Rahmen
- 17    Rammschutz, Gepäckträger
- 18    Aufhängung vorne, Trittbretter
- 19    Coverteile, Kotflügel
- 20    Sitz
- 21    Tank
- 22    Federbeine
- 23    Vorderreifen, Felgen vorne
- 24    Hinterreifen, Felgen hinten
- 25    Vorderbremse
- 26    Hinterbremse
- 26a   Hinterbremse
- 27    Lenker, Spiegel
- 28    Hinterachse
- 29    Kette, Rammschutz unten
- 30    Lenkgestänge, Spurstangen
- 30a   Lenkgestänge, Spurstangen
- 31    Frontlicht, Rücklicht
- 31a   Frontlicht, Rücklicht
- 32    Starter, Lichtmaschine
- 33    Elektrik
- 33a   Elektrik
- 34    Aufkleber



ERING

CYLINDER HEAD COVER

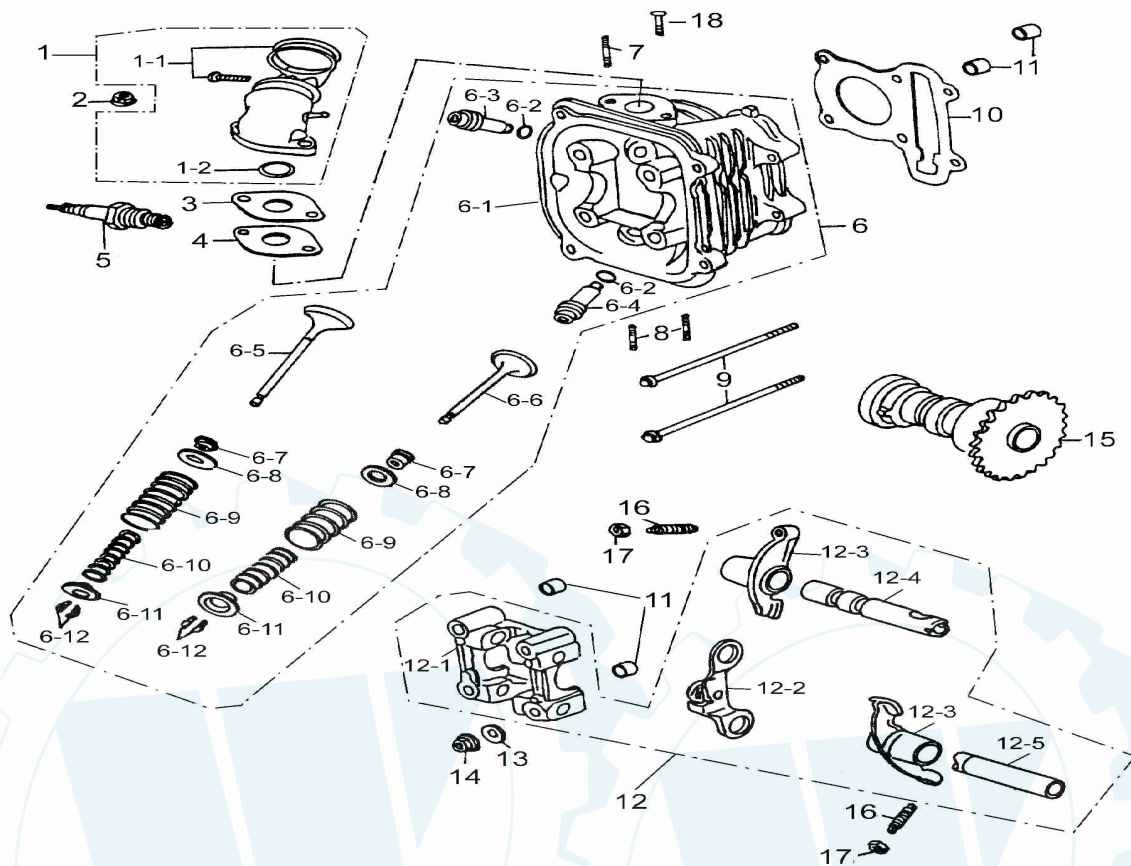


P/N	DESCRIPTION	PART NO.	Q'TY
2-1	HEX FLANGE BOLT	96000-06025-8C	4
2-2	CYLINDER HEAD COVER ASS'Y	12310-158-000	1
2-2-1	CYLINDER HEAD COVER GASKET	12391-119-000	1
2-2-2	CYLINDER HEAD COVER	12309-158-000	1

ERING



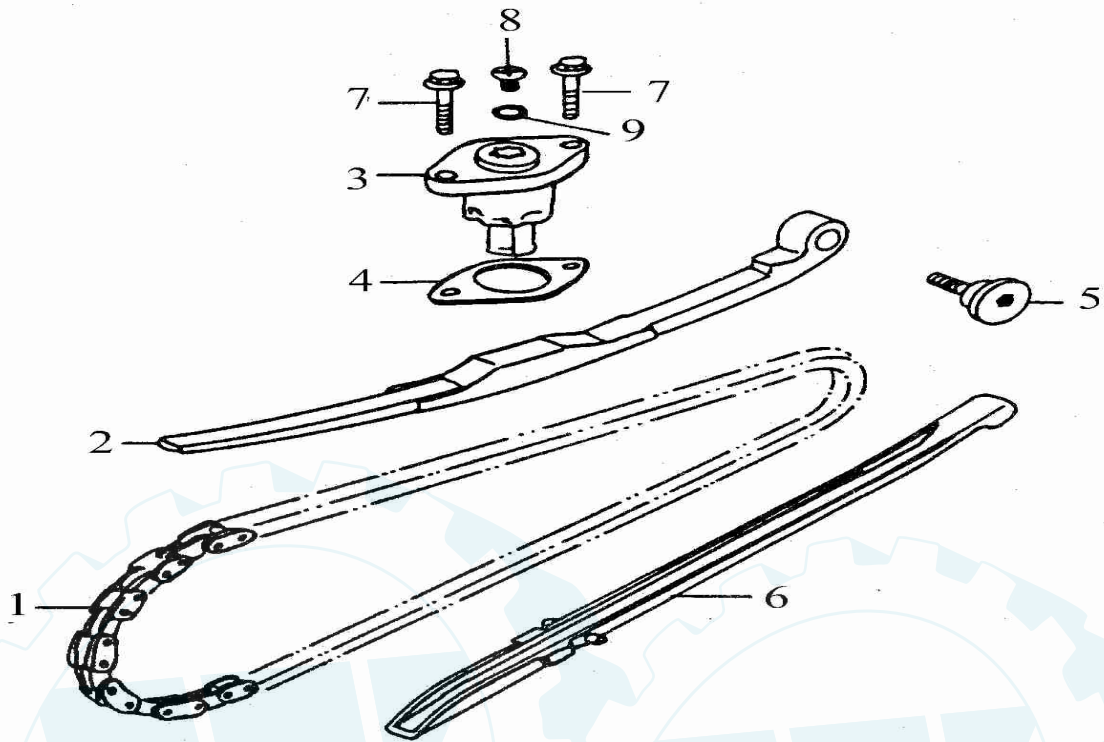
CAMSHAFT VALVE CYLINDER HEAD



P/N	DESCRIPTION	PART NO.	Q'TY
3-12-2	PLATE COMP STOPPER	14456-119-000	1
3-12-3	ARM VALVE ROCKER	14431-119-000	2
3-12-4	SHAFT COMP IN ROCKER ARM	14452-158-000	1
3-12-5	SHAFT EX ROCKER ARM	14453-158-000	1
3-13	COPPER PLAIN WASHER	94101-0818023-U	4
3-14	HEX FLANGE NUT	94050-08000-C	4
3-15	CAMSHAFT COMP	14400-122-000	1
3-16	SCREW TAPPEL ADJUSTING	90012-119-000	2
3-17	TAPPET ADJUSTING	90206-119-000	2

ERING

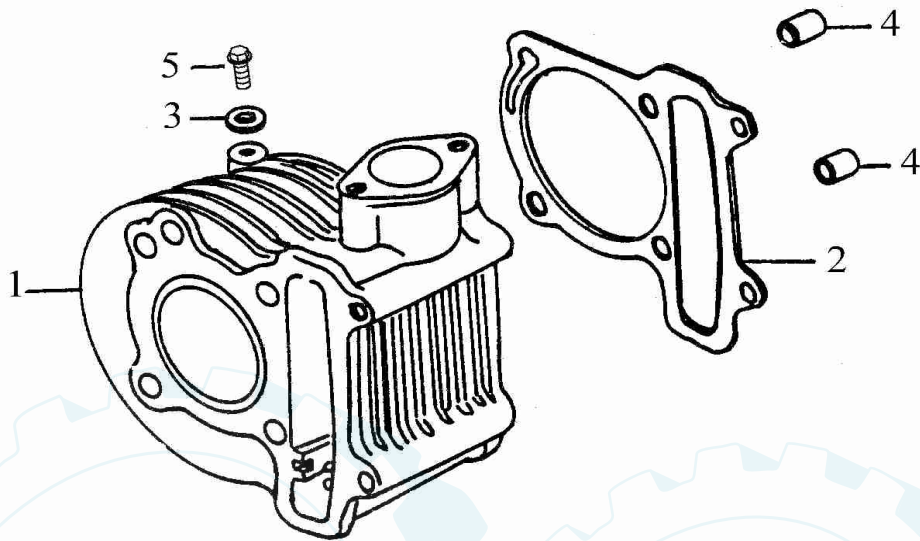
CAM CHAIN,TENSIONER



P/N	DESCRIPTION	PART NO.	Q'TY
4-1	CHAIN CAM	14401-119-000	1
4-2	TENSIONER CAM CHAIN	14550-119-000	1
4-3	LIFTER TENSIONER LIFTER	14521-119-000	1
4-4	GASKET TENSIONER LIFTER	14523-119-000	1
4-5	PIVOT CAM CHAIN TENSIONER	14535-119-000	1
4-6	GUIDE COMP CAM CHAIN	14500-119-000	1
4-7	HEX FLANGE BOLT	96000-06022-814-C	2
4-8	SCREW,PAN	93000-06006-K	1
4-9	OIL-RING	91309-119-000	1

ERING

CYLINDER

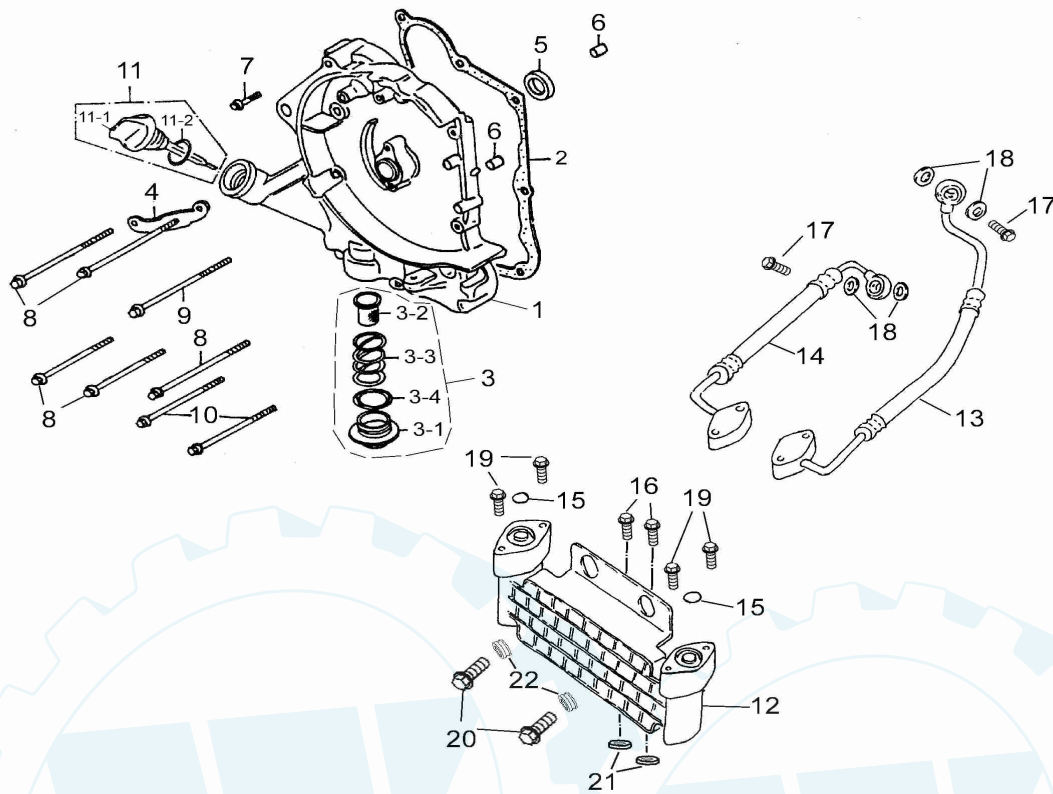


P/N	DESCRIPTION	PART NO.	Q'TY
5-1	CYLINDER	12101-158-001	1
5-2	CYLINDER GASKET	12191-158-000	1
5-3	COPPER PLAIN WASHER	94101-0612010-U	1
5-4	DOWEL PIN	94301-10140	2
5-5	HEX FLANGE BOLT	96000-06012-10C	1

ERING



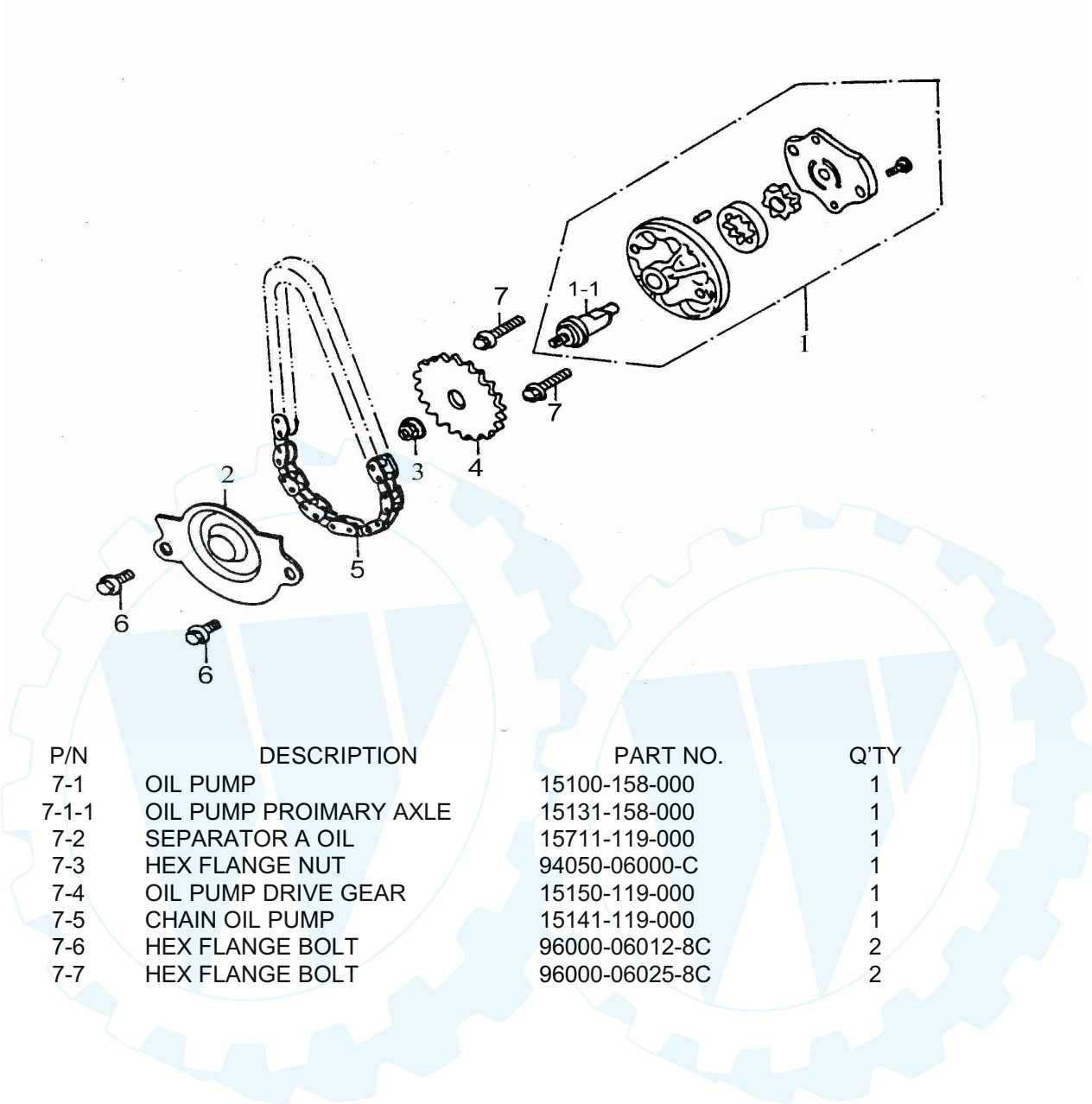
RIGHT CRANKCASE COVER



P/N	DESCRIPTION	PART NO.	Q'TY
6-1	RIGHT CRANKCASE OVER	11330-156-000	1
6-2	GASKET R. CRANKCASE COVER	11393-156-000	1
6-3	CAP TAPPET ADJUSTING HOLE	12361-119-000	1
6-3-1	CAP TAPPET	12360-119-000	1
6-3-2	SCREEN OIL FILTER	15421-119-000	1
6-3-3	SPRING OIL FILTER SPRING	15426-119-000	1
6-3-4	OIL RING	91330-119-000	1
6-4	CLAMPER A.C.GENERATOR CORD	32961-119-000	1
6-5	OIL SEAL	96500-19305	1
6-6	DOWEL PIN	94301-08140	2
6-7	HEX FLANGE BOLT	96000-06028-8C	1
6-8	HEX FLANGE BOLT	96000-06095-8C	5
6-9	HEX FLANGE BOLT	96000-06100-8C	1
6-10	HEX FLANGE BOLT	96000-06110-8C	2
6-11	GAUGE ASS'Y OIL LEVEL	1565A-119-000	1
6-11-1	GAUGE OIL LEVEL	15650-119-000	1
6-11-2	OIL RING	91318-119-000	1
6-12	RADIATOR	15210-158-000	1
6-13	LIFE HOSE OUTLET	15230-158-000	1
6-14	RIGHT HOSE INLET	15220-158-000	1
6-15	O-RING	91312-111-000	2
6-16	HEX FLANGE BOLT	96000-06012-K	2
6-17	OIL TUBE FIXED BOLT	45456-156-000-G	2
6-18	PLAIN WASHER	94101-1221320-L	4
6-19	HEX FLANGE BOLT	96000-06025-K	4
6-20	HEX FLANGE BOLT	96000-08012-K	2
6-21	SHAKE-PROOF RUBBER WASHER	64320-156-000	2
6-22	SHAKE-PROOF RUBBER RING	64321-156-000	2

ERING

OIL PUMP

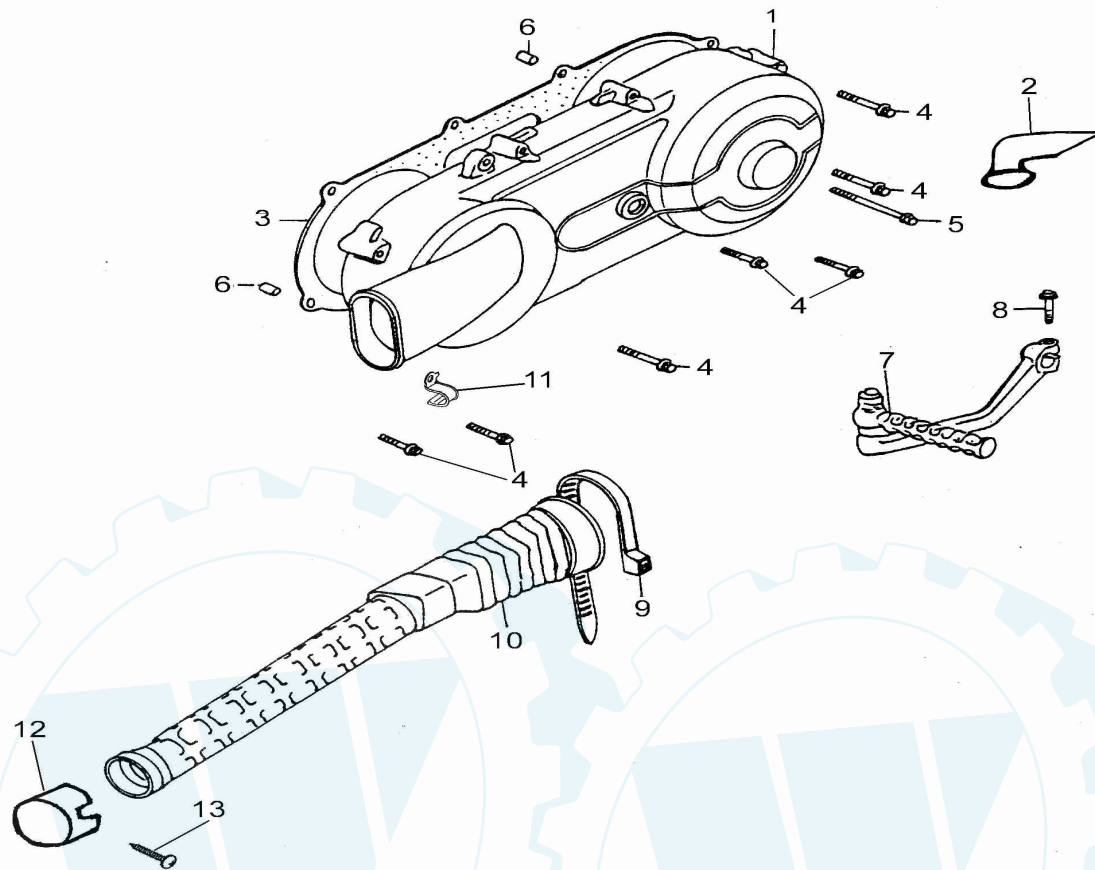


P/N	DESCRIPTION	PART NO.	Q'TY
7-1	OIL PUMP	15100-158-000	1
7-1-1	OIL PUMP PROIMARY AXLE	15131-158-000	1
7-2	SEPARATOR A OIL	15711-119-000	1
7-3	HEX FLANGE NUT	94050-06000-C	1
7-4	OIL PUMP DRIVE GEAR	15150-119-000	1
7-5	CHAIN OIL PUMP	15141-119-000	1
7-6	HEX FLANGE BOLT	96000-06012-8C	2
7-7	HEX FLANGE BOLT	96000-06025-8C	2

ERING



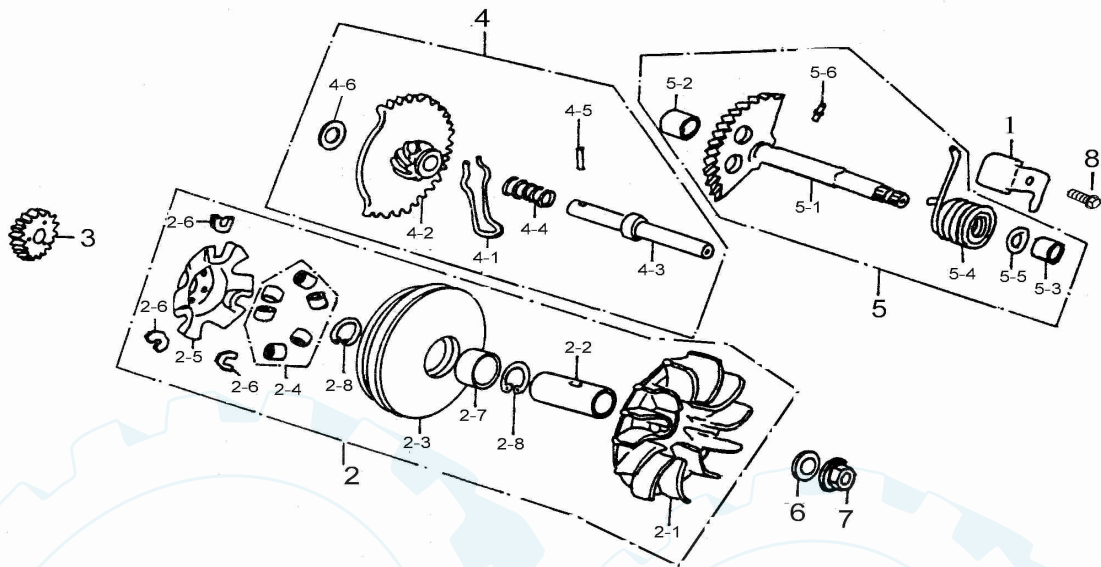
LEFT CRANKCASE COVER



P/N	DESCRIPTION	PART NO.	Q'TY
8-1	COVER L	11341-156-000	1
8-2	CLAMPER THROTTLE CABLE	11211-112-000	1
8-3	GASKET L COVER	11359-119-000	1
8-4	HEX FLANGE BOLT	96000-06040-8C	7
8-5	HEX FLANGE BOLT	96000-06100-8C	1
8-6	DOWEL PIN	94301-08140	2
8-7	ARM ASS'Y KICK STARTER	28300-156-000	1
8-8	HEX FLANGE BOLT	96000-06025-K	1
8-9	STRAP	90669-119-001	1
8-10	DUCT L. CRANKCASE COVER	11345-119-000	1
8-11	BREATHER HOSE CLIP	11351-119-000	1
8-12	DUST PROOF RUBBER	11349-156-000	1
8-13	TAPPING SCREW	93903-04016-K	1

ERING

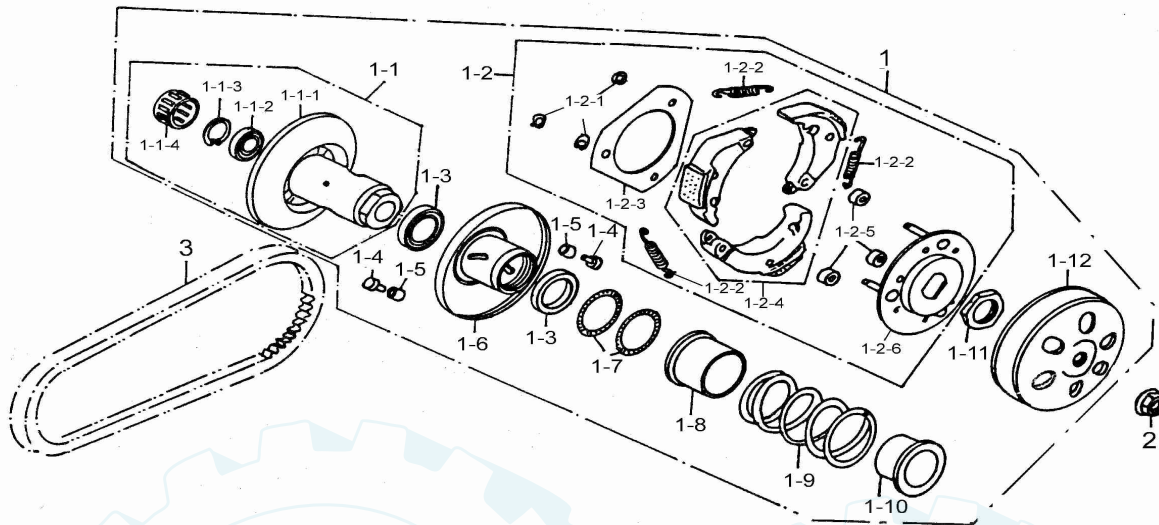
## DRIVE FACE



P/N	DESCRIPTION	PART NO.	Q'TY
9-1	PLATE KICK RETURN STOPPER	11207-119-000	1
9-2	FACE ASS'Y MOVABLE DRIVE	22103-160-000	1
9-2-1	FACE DRIVE	22102-156-000	1
9-2-2	BOSS DRIVE FACE	96401-172451	1
9-2-3	PRIMARY SLIDING SLOT WHEEL	22110-156-000	1
9-2-4	ROLLER COMP WEIGHT	22121-158-000	6
9-2-5	PLATE RAMP	22131-158-000	1
9-2-6	SIDE PIECE	22132-156-000	3
9-2-7	BUSH	96401-242830	1
9-2-8	INTERNAL CIR CLIP	94512-2800R	2
9-3	GEAR KICK DRIVE	28211-119-000	1
9-4	STARTER IDLE GEAR ASS'Y	28231-119-000	1
9-4-1	SPRING STARTER GEAR	28223-119-000	1
9-4-2	GEAR COMP STARTER IDLE	28230-119-000	1
9-4-3	SHAFT STARTER IDLE	28241-119-000	1
9-4-4	SPRING STARTER IDLE	28242-119-000	1
9-4-5	SPECIAL PIN	28282-119-000	1
9-4-6	PLAIN WASHER	94101-1225023-C	1
9-5	STARTER SPINDLE ASS'Y	28251-119-000	1
9-5-1	STARTER SPINDLE COMP	28250-119-000	1
9-5-2	BUSH	96401-121612	1
9-5-3	STARTER SPINDLE BUSH	96401-141816	1
9-5-4	STARTER SPRING	28281-119-000	1
9-5-5	PLAIN WASHER	94101-1422012-C	1
9-5-6	ROLLER	96220-30085	1
9-6	PLAIN WASHER	94101-1225023-C	1
9-7	HEX FLANGE NUT	94050-12000-C	1
9-8	HEX FLANGE BOLT	96000-06012-8C	1

ERING

## DRIVE FACE



P/N	DESCRIPTION	PART NO.	Q'TY
10-1	DRIVE FACE ASS'Y(B)	22000-158-000	1
10-1-1	SECONDARY FIX SLOT WHEEL	23200-119-000	1
10-1-1-1	FACE ASS'Y DRIVEN	23210-119-000	1
10-1-1-2	RADIAL BALL BEARING	96100-6902U	1
10-1-1-3	INTERNAL CIR CLIP	94512-280IR	1
10-1-1-4	NEEDLE BEARING	96200-202918	1
10-1-2	PLATE ASS'Y DRIVE	22001-156-000	1
10-1-2-1	EXTERNAL CIR CLIP	94511-0700E	3
10-1-2-2	SPRING CLUTCH	22401-119-000	3
10-1-2-3	PLATE CLUTCH SIDE	22351-119-000	1
10-1-2-4	CLUTCH WEIGHT SET	22535-156-000	3
10-1-2-5	RUBBER CLUTCH DAMPER	22804-119-000	3
10-1-2-6	PLATE COMP DRIVE	22350-119-000	1
10-1-3	OIL SEAL	96500-34414	2
10-1-4	GUIDE PIN	23225-119-000	3
10-1-5	GUIDE	23226-119-000	3
10-1-6	SECONDARY SLIDING SLOT	23220-119-000	1
10-1-7	OIL RING	91336-119-000	2
10-1-8	SECONDARY SPRING SEAT	23237-119-000	1
10-1-9	COMPRESSION SPRING	23233-158-000	1
10-1-10	COLLER SPRING	23238-119-000	1
10-1-11	NUT , SPECIAL	90202-119-000	1
10-1-12	CLUTCH COVER COMP	22100-119-000	1
10-2	HEX FLANGE NUT	94050-12000-C	1
10-3	BELT DRIVE	23100-122-000	1
10-4	TEFLON RING	21326-156-000	1

ERING



**ERING**



**ERING**



**ERING**



**ERING**





**ERING**



**ERING**



**ERING**



**ERING**



**ERING**



**ERING**

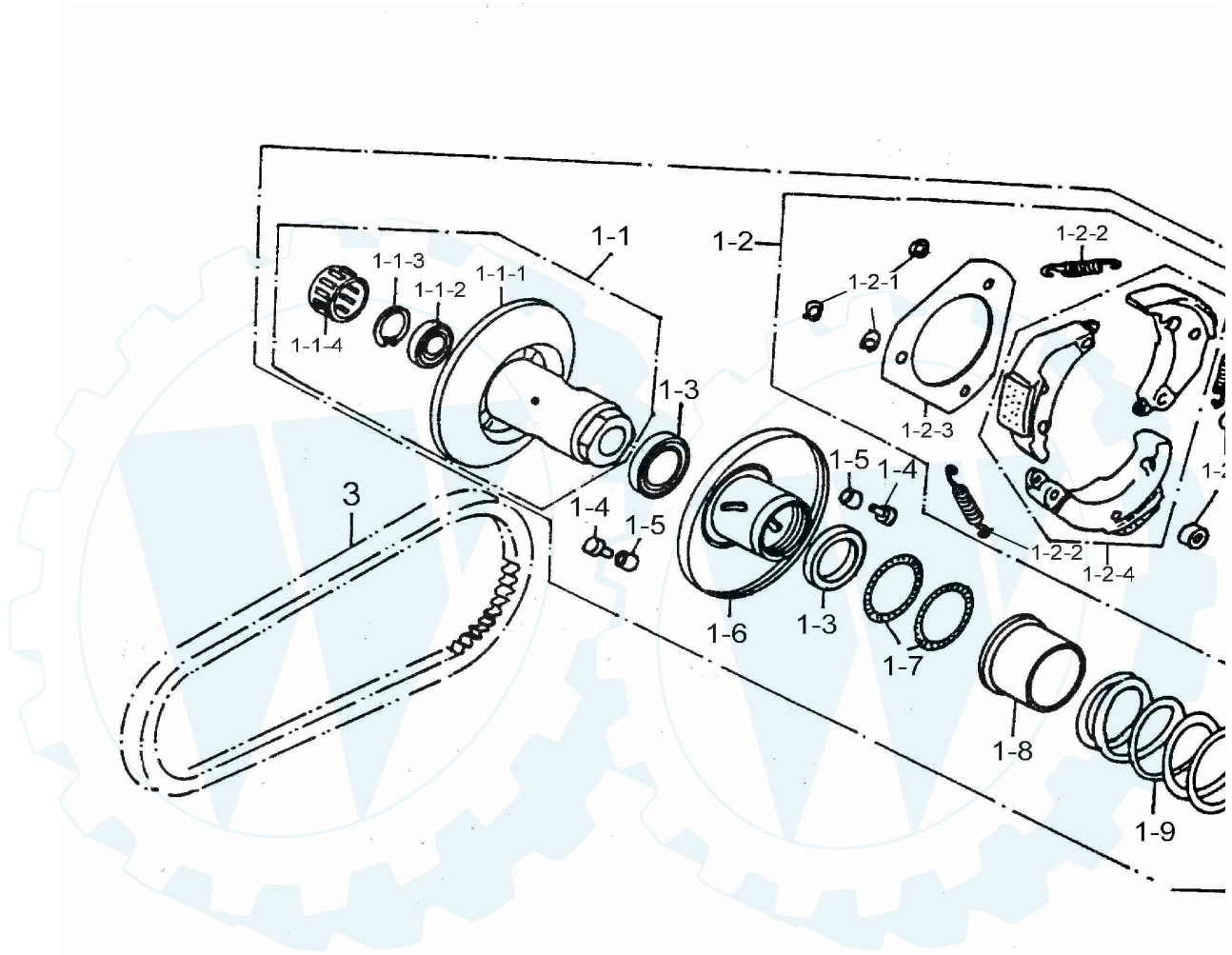


**ERING**





**ERING**



ERING



**ERING**



**ERING**



**ERING**



**ERING**



**ERING**





**ERING**



**ERING**



**ERING**



**ERING**



**ERING**



**ERING**

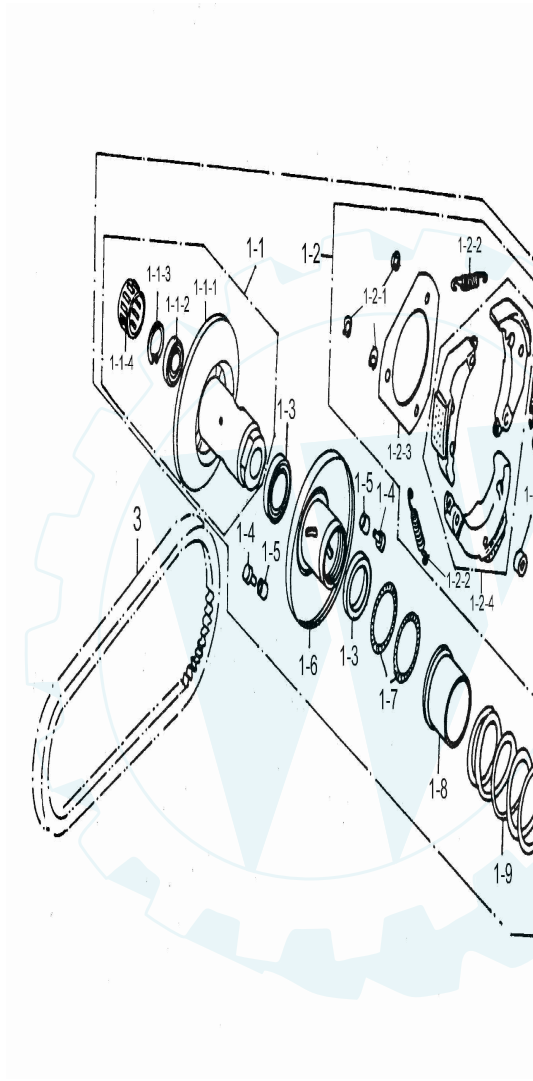


**ERING**



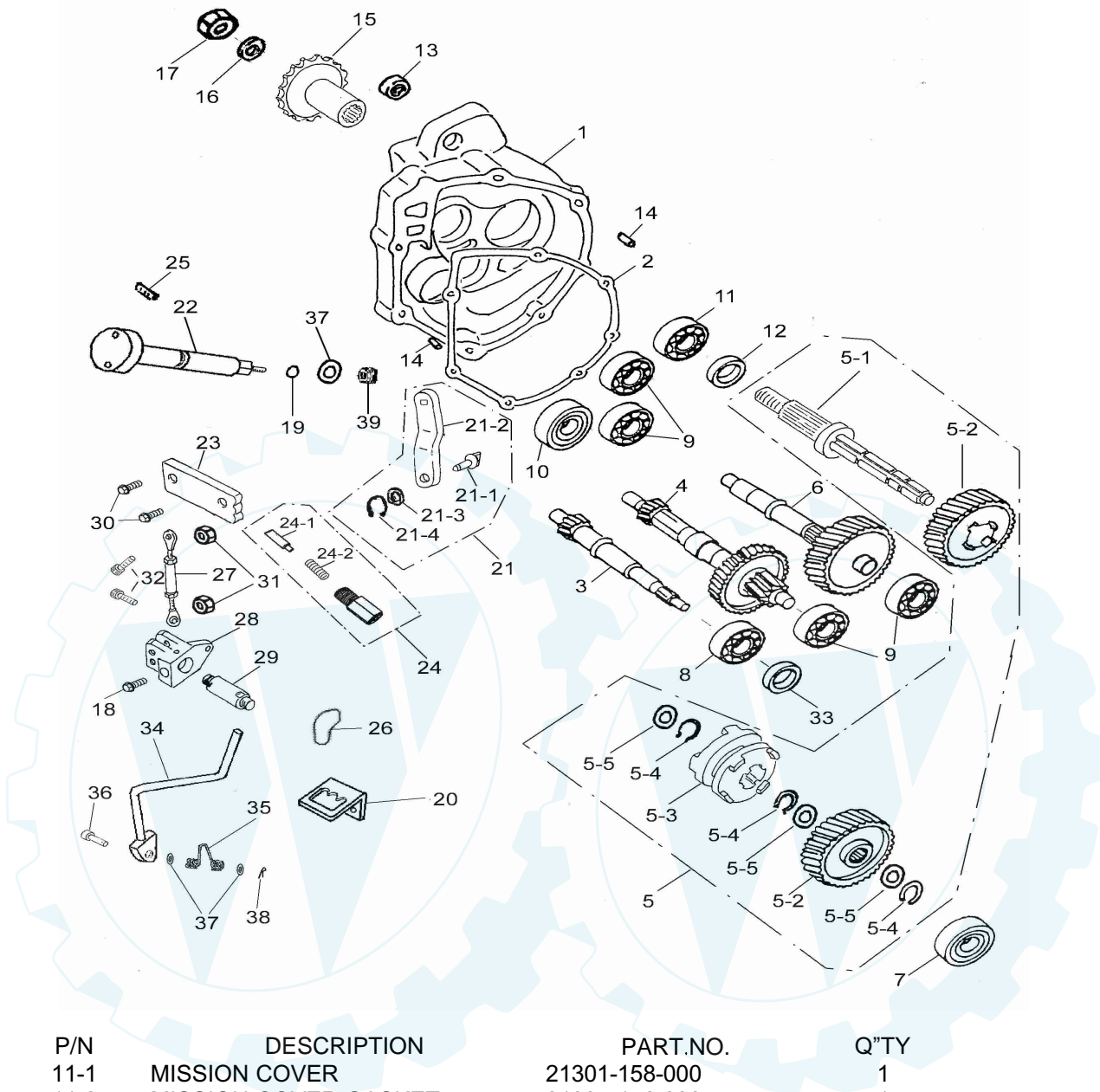


**ERING**



ERING

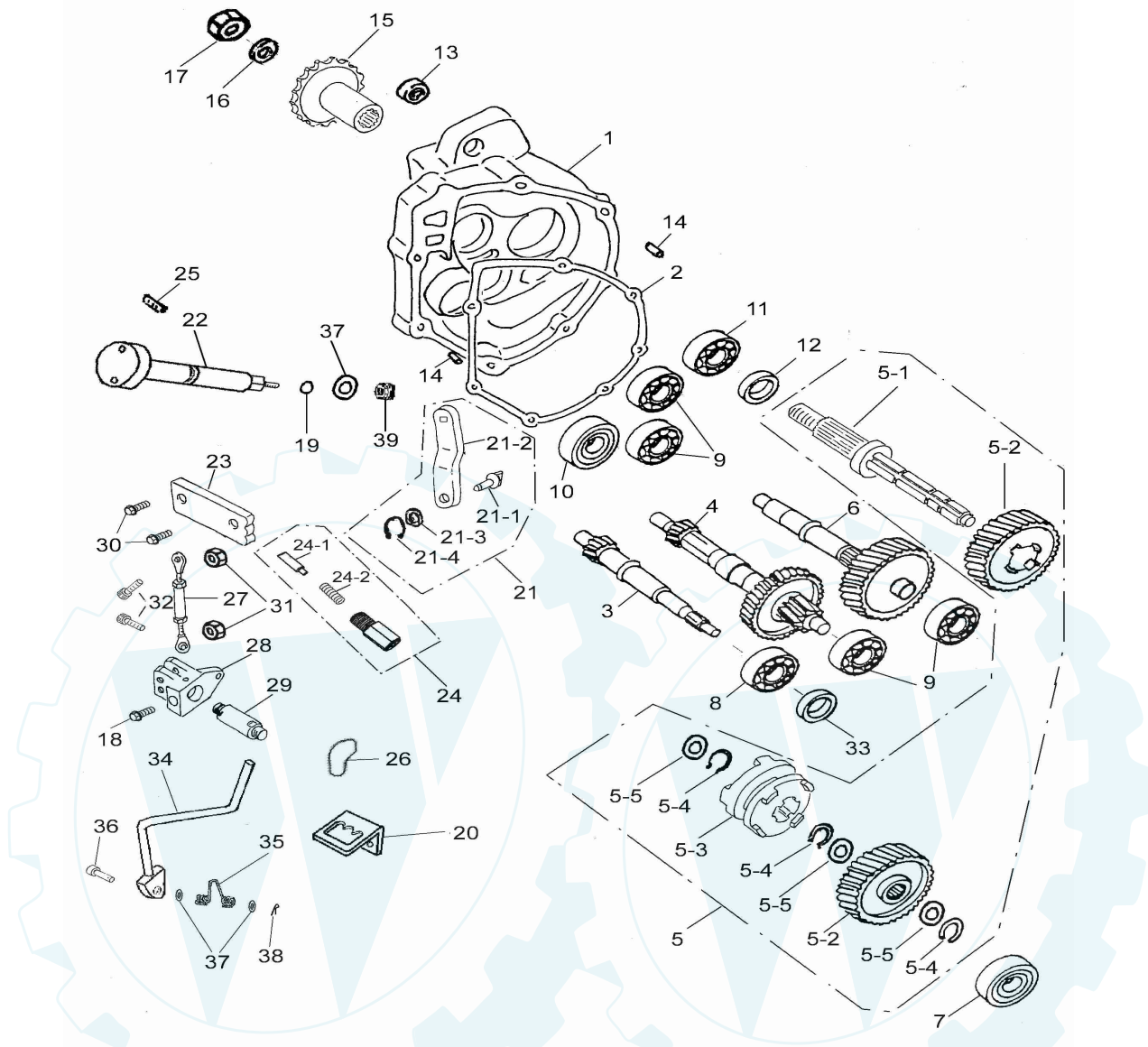
TRANSMISSION



P/N	DESCRIPTION	PART.NO.	Q"TY
11-1	MISSION COVER	21301-158-000	1
11-2	MISSION COVER GASKET	21395-156-000	1
11-3	SHAFT , DRIVE	23411-119-000	1
11-4	MAIN AXLE COMP	23420-156-000	1
11-5	SHAFT , FINAL ASS,Y	23440-156-000	1
11-5-1	SHAFT , FINAL	23431-156-000	1
11-5-2	GEAR , TRANSMISSION	23434-156-000	2
11-5-3	CLUTCH	28430-156-000	1
11-5-4	C - CIRCLIP	23436-156-000	3
11-5-5	SPECIAL WASHER	23435-156-000	3
11-6	COUNTER SHAFT ASS'Y	23433-156-000	1
11-7	BEARING	96100-62030	1
11-8	BEARING	96100-62040	1
11-9	BEARING	96100-62020	4
11-10	BEARING	96100-TMB301	1
11-11	BEARING	96100-6004U	1
11-12	OIL SEAL	96500-27427	1
11-13	RUBBER BUSH	96400-082223	1

ERING

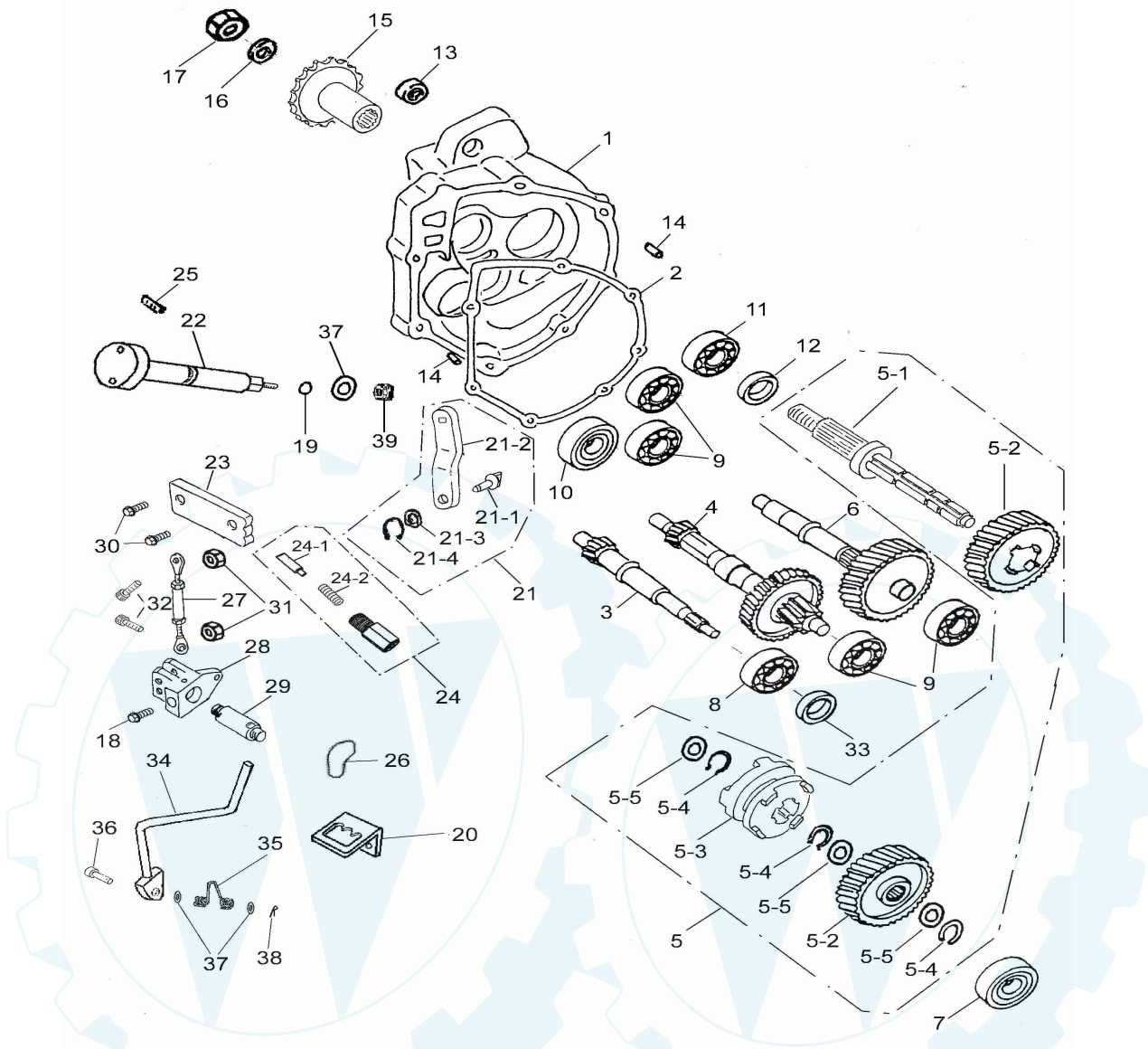
TRANSMISSION



11-14	DOWEL PIN	94301-08140	2
11-15	DRIVE SPROCKET	23801-159-000	1
11-16	PLAIN WASHER	94101-1629030-C	1
11-17	NYLON INSERT LOCK NUT	90350-16000-C	1
11-18	HEX FLANGE BOLT	96000-06025-K	1
11-19	O-RING	91312-111-000	1
11-20	FIX CATCH SUPPORT	21323-156-000	1
11-21	TRANSMISSION FORK ASS,Y	21310-156-000	1
11-21-1	TRANSMISSION FORK	21311-156-000	1
11-21-2	TRANSMISSION SHAFT	21312-156-000	1
11-21-3	SPECLAL WASHER	23437-156-000	1
11-21-4	C - CINCLIP	23438-156-000	1
11-22	TRANSMISSION LINK	21313-156-000	1
11-23	TRANSMISSION POSITION FIX PLA	21314-156-000	1
11-24	TRANSMISSION POSITION FIX BU	21315-156-000	1
11-24-1	TRANSMISSION FIX PIN	21324-156-000	1
11-24-2	TRANSMISSION FIX SPRING	21325-156-000	1
11-25	HEX SOCKET FIX BOLT	91001-05008-K	1
11-26	TRANSMISSION LEVER ROD	21322-156-000	1

ERING

TRANSMISSION



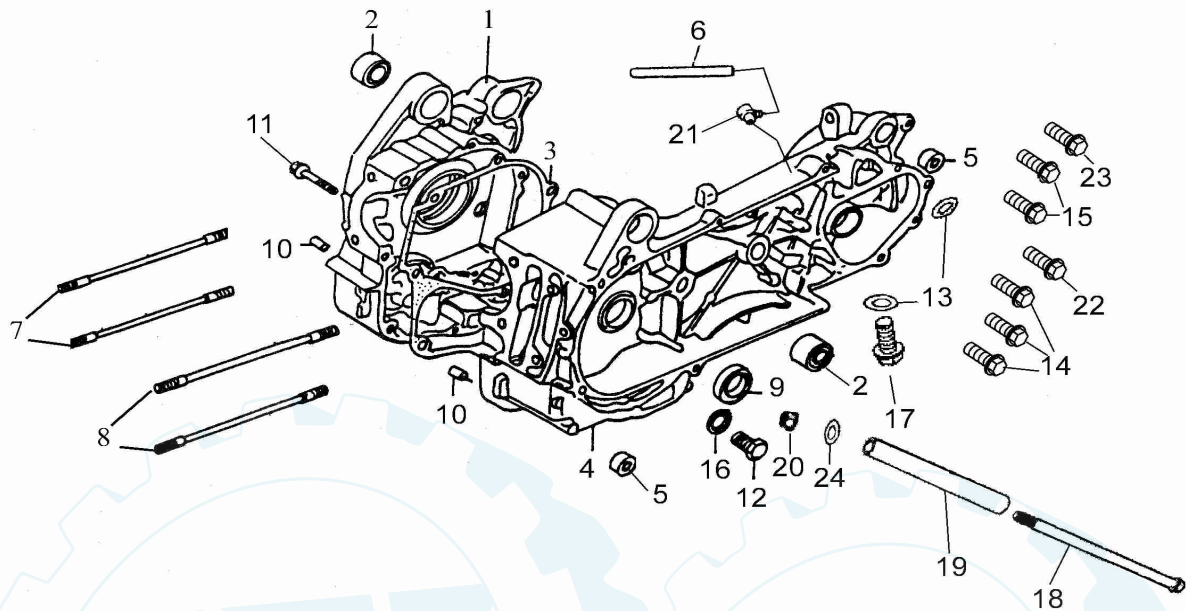
11-27	TRANSMISSION FORK LINK	21316-156-000	1
11-28	TRANSMISSION SET	21317-156-000	1
11-29	TRANSMISSION SET FIX LINK ASSY	21318-156-000	1
11-30	HEX FLANGE BOLT	96000-06012-C	2
11-31	NYLON INSERT LOCK NUT	90350-06000-K	2
11-32	HEX SOCKET BOLT	91000-06025-K	2
11-33	OIL SEAL	96500-20326	1
11-34	TRANSMISSION LEVER	21319-156-000	1
11-35	TRANSMISSION LEVER SPRING	21320-156-000	1
11-36	TRANSMISSION LEVER FIX PIN	21321-156-000	1
11-37	PLAIN WASHER	94101-0816015-C	3
11-38	COTTER PIN	94201-24190	1
11-39	HEX NUT WITH SERRATION	90350-08000-UK	1

ERING



ERING

## CRANKCASE

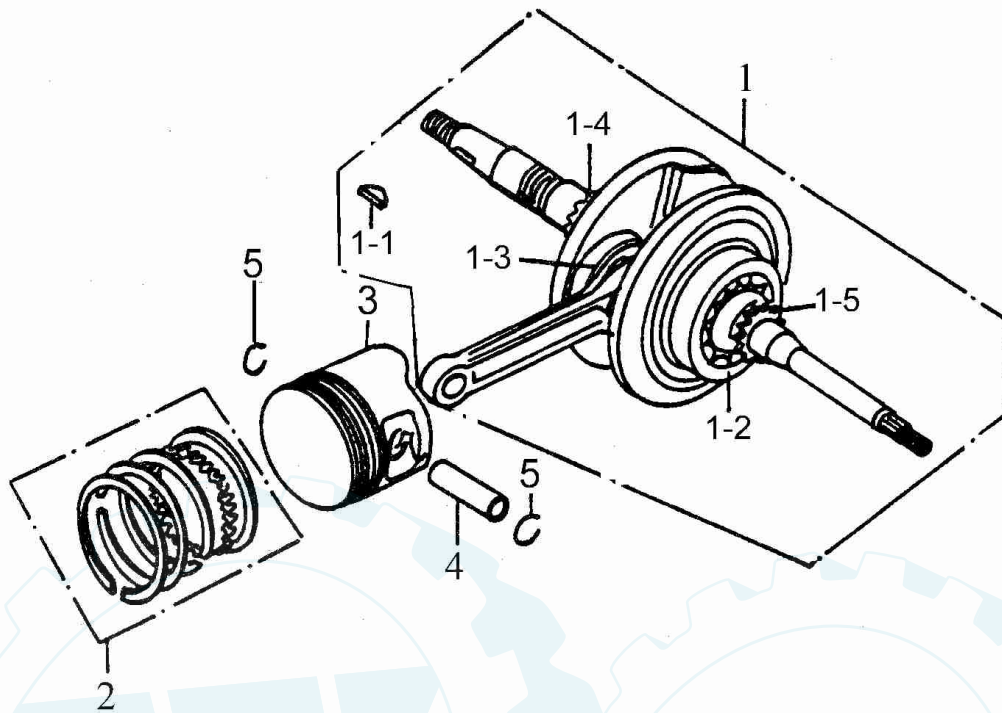


P/N	DESCRIPTION	PART NO.	Q'TY
12-1	RIGHT CRANKCASE	11101-158-000	1
12-2	BUSH ENGINE HANGER RUBBER	96400-102820	2
12-3	GASKET CRANKCASE	11191-122-000	1
12-4	LEFT CRANKCASE	11201-158-000	1
12-5	RUBBER BUSHING	96400-082223	2
12-6	TUBE BREATHER	16615-113-000	1
12-7	STUD BOLT	91001-08181-C	2
12-8	STUD BOLT	91001-08187-C	2
12-9	OIL SEAL	96500-19305	1
12-10	DOWEL PIN	94301-08140	2
12-11	HEX FLANGE BOLT	96000-06050-C	1
12-12	HEX FLANGE BOLT	96000-12015-14C	1
12-13	PLAIN WASHER (ALUMINUM)	94101-0816020	2
12-14	HEX FLANGE BOLT	96000-06060-08-C	3
12-15	HEX FLANGE BOLT	96000-06065-08-C	3
12-16	PLAIN WASHER	94101-1221320-L	1
12-17	HEX FLANGE BOLT	96000-08012-10C	2
12-18	HEX FLANGE BOLT	96000-10197-C	1
12-19	ENGING SPACER COLLAR	11150-156-000	1
12-20	NYLON INSERT LOCK NUT	90350-10000-C	1
12-21	BREATHER JOINT	16610-113-000	1
12-22	HEX FLANGE BOLT	96000-06045-08-C	1
12-23	HEX FLANGE BOLT	96000-06070-08-C	1
12-24	PLAIN WASHER	94101-1022020-C	1
11-5-5	SPECIAL WASHER	23435-156-000	3
11-6	COUNTER SHAFT ASS'Y	23433-156-000	1
11-7	BEARING	96100-62030	1
11-8	BEARING	96100-62040	1
11-9	BEARING	96100-62020	4
11-10	BEARING	96100-TMB301	1
11-11	BEARING	96100-6004U	1
11-12	OIL SEAL	96500-27427	1
11-13	RUBBER BUSH	96400-082223	1

ERING



CRANK SHAFT PISTON

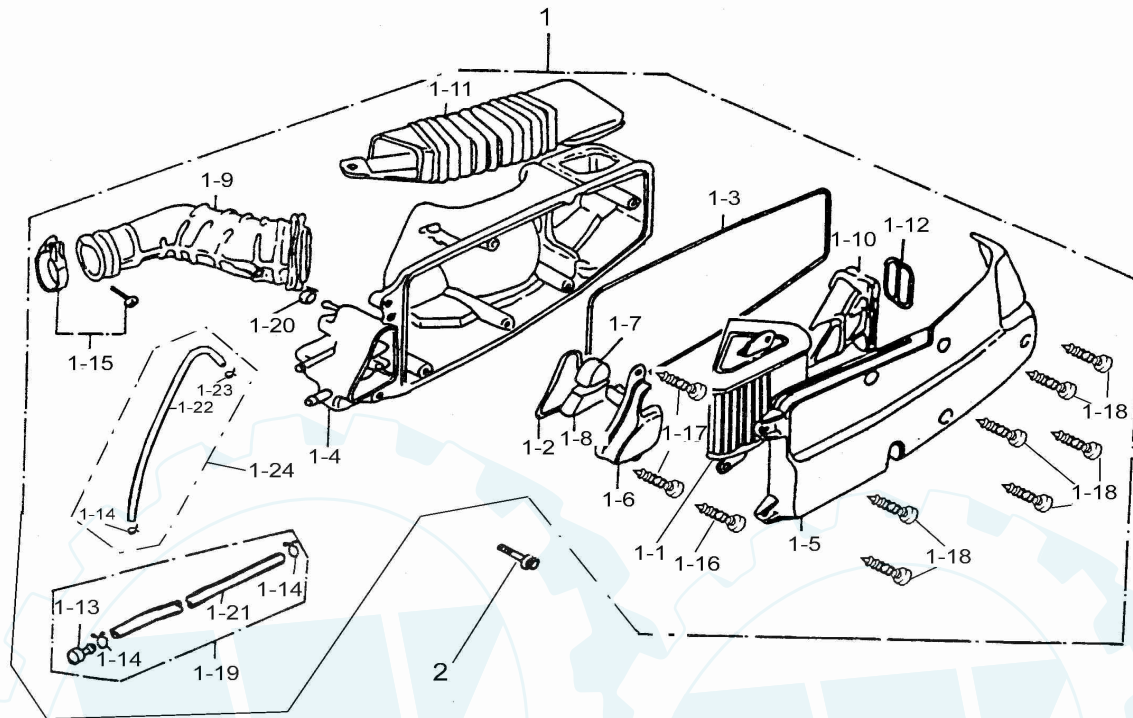


P/N	DESCRIPTION	PART NO.	Q'TY
13-1	CRANKSHAFT ASS'Y	13000-156-000	1
13-1-1	SEMICYCLE KEY	90471-119-000	1
13-1-2	BEARING	CSSC04A86CS12	1
13-1-3	NEEDLE BEARING	96200-283313	1
13-1-4	TIMING GEAR	14311-119-000	1
13-1-5	CAM TRANSMISSION GEAR	14322-158-000	1
13-1-6	BEARING	TMB305V32	1
13-2	PISTON RING SET	13011-158-000	1
13-3	PISTON	13100-158-000	1
13-4	PISTON PIN	13111-158-000	1
13-5	CLIP PISTON PIN	13115-119-000	2

ERING



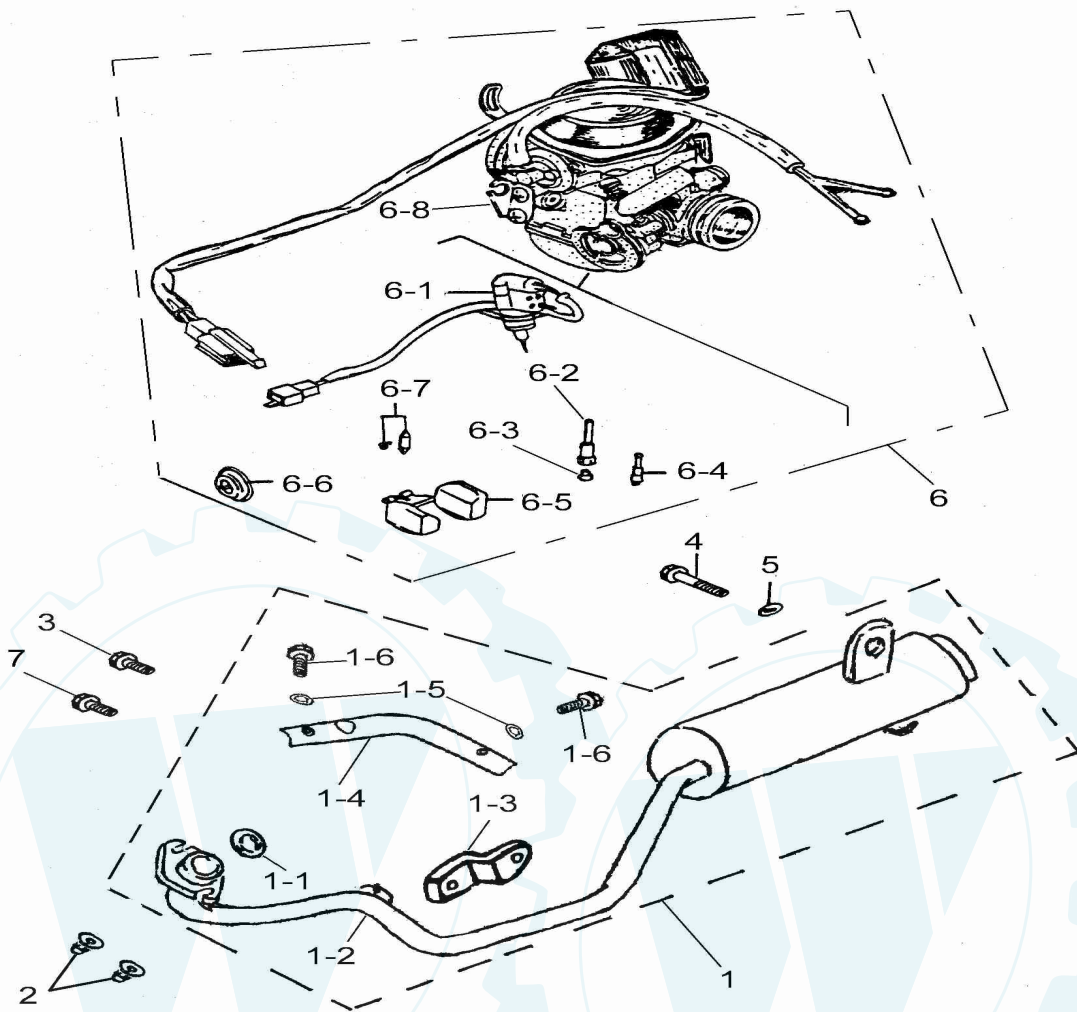
## AIR CLEANER



P/N	DESCRIPTION	PART NO.	Q'TY
14-1	AIR CLEANER ASS'Y	17200-156-000	1
14-1-1	AIR CLEANER ELEMENT	17205-119-000	1
14-1-2	SEAL OIL CATCH	17212-119-000	1
14-1-3	SEAL OIL CLEANER COVER	17213-119-000	1
14-1-4	AIR CLEANER CASE	17206-119-000	1
14-1-5	CLEANER CASE CAP	17207-119-000	1
14-1-6	COVER OIL CATCH	17232-119-000	1
14-1-7	FILTER BREATHER	17234-119-000	1
14-1-8	FILTER OIL CATCH	17235-119-000	1
14-1-9	AIR CLEANER JOINT	17253-119-000	1
14-1-10	DUCT AIR CLEANER IN	17255-119-000	1
14-1-11	DUCT AIR CLEANER CASE	17257-119-000	1
14-1-12	SPRING IN DUCT	17258-119-000	1
14-1-13	PLUG BREATHER TUBE	17370-119-000	1
14-1-14	CLIP	94510-12000	3
14-1-15	INTAKE MANIFOLD HOSE CLAMP	14110-119-000	1
14-1-16	PAN PHILLIPS BOLT	93500-05010-K	2
14-1-17	TAPPING SCREW TRUSS HEAD	93903-04012-K	2
14-1-18	TAPPING SCREW TRUSS HEAD	93903-05020-K	7
14-1-19	TUBE ASS'Y DRAIN	17360-119-000	1
14-1-20	CLAMP TUBE	94509-09000	1
14-1-21	TUBE VINYL	94400-08012	1
14-1-22	BREATHER TUBE	11211-119-000	1
14-1-23	CLIP	94510-08000	1
14-1-24	BREATHER TUBE ASS'Y	11210-119-000	1
14-2	HEX FLANGE BOLT	96000-06032-814-C	2

ERING

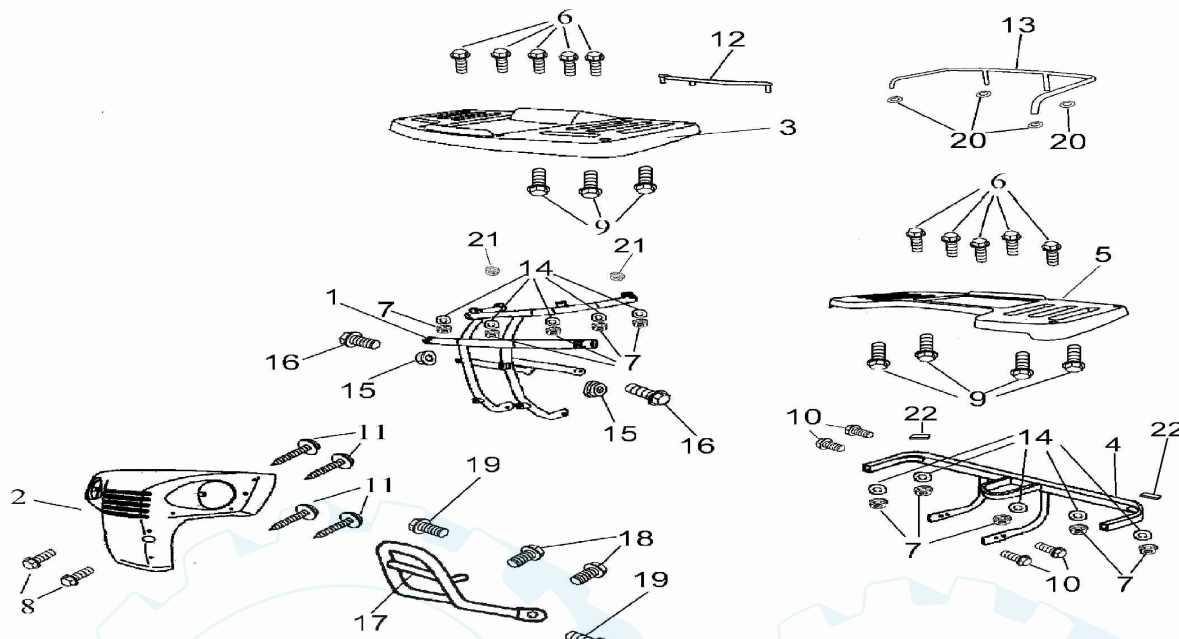
EXHANST MUFFLER,CARBURETOR



P/N	DESCRIPTION	PART NO.	Q'TY
15-1	EXHAUST PIPE ASS'Y	18300-156-001	1
15-1-1	EXHAUST PIPE GASKET	18291-119-000	1
15-1-2	EXHAUST PIPE	18301-156-001	1
15-1-3	EXHAUST PIPE FIX PLATE	18317-156-000	1
15-1-4	EXHAUST PIPE PROTECTOR	18315-156-001	1
15-1-5	GASKET	94102-0613010	2
15-1-6	HEX FLANGE BOLT	93500-060010	2
15-2	NUT CAP	90301-08000-C	2
15-3	HEX FLANGE BOLT	96000-08016-K	1
15-4	HEX FLANGE BOLT	96000-08030-K	1
15-5	PLAIN WASHER	94101-1022020-C	1
15-6	CARBURETOR ASS'Y	16100-119-000	1
15-6-1	PLUNGER STARTER	17215-119-000	1
15-6-2	NEEDLE NOZZLE	16105-119-000	1
15-6-3	MAIN NOZZLE	16108-119-000	1
15-6-4	PILOT JET	16110-119-000	1
15-6-5	FLOAT	16118-119-000	1
15-6-6	PLUNGER FILM	16048-119-000	1
15-6-7	PLUNGER FILM	16117-119-000	1
15-6-8	THROTTLE CABLE FIX SEAT	16120-119-000	1
15-7	HEX FLANGE BOLT	96000-08025-K	1

ERING

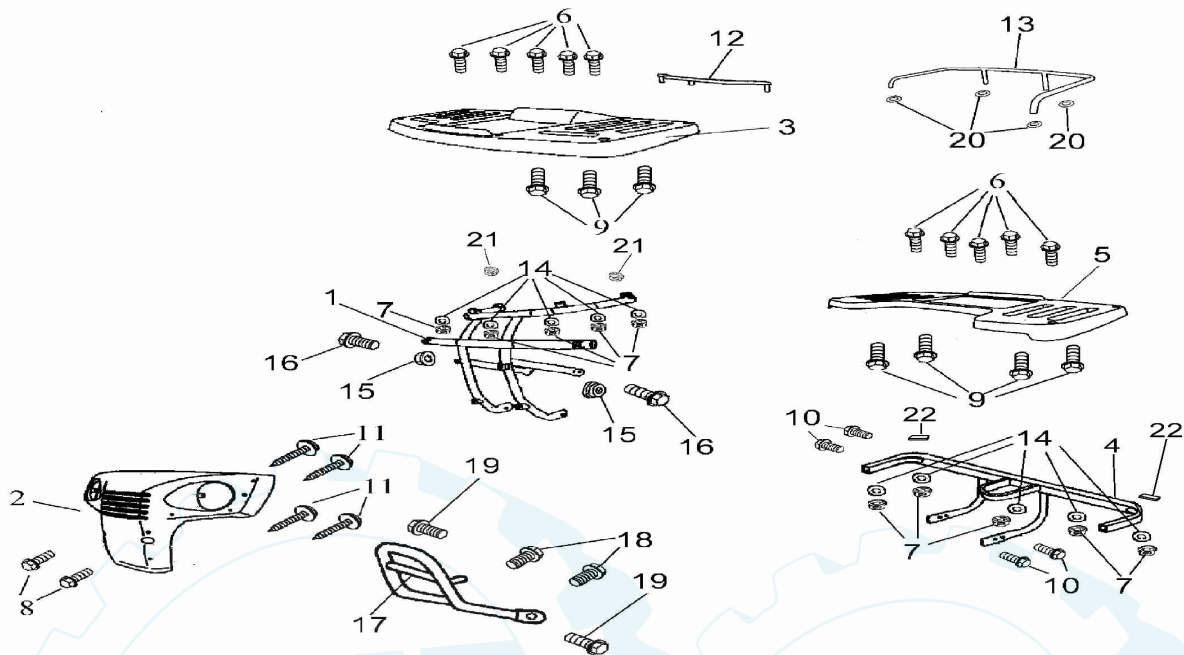
BUMPER FRONT AND REAR RACK



P/N	DESCRIPTION	PART NO.	Q'TY
17-1	BUMPER	50450-156-001	1
17-2	BUMPER COVER	50461-159-000	1
17-3	FRONT RACK	81100-156-000	1
17-4	REAR IRON RACE	81111-159-000	1
17-5	REAR RACK	81110-156-000	1
17-6	PLAIN PHILLIPS BOLT WITH	96318-06032-K	10
17-7	NYLON INSEKT LOCK NUT	90350-06000-K	10
17-8	PLAIN PHILLIPS BOLT	93100-05016-K	2
17-9	HEX FLANGE BOLT	96000-06016-K	7
17-10	HEX FLANGE BOLT	96000-08012-K	4
17-11	TAPPING SCREW	93903-05016-K	4
17-12	FRONT RAILING	81101-156-000	1
17-13	REAR RAILING	81112-156-000	1
17-14	PLAIN WASHER	94101-0613010-K	10
17-15	HEX FLANGE NUT	94050-06000-K	2
17-16	HEX FLANGE BOLT	96000-06016-K	2
17-17	BUMPER	50455-156-001	1
17-18	HEX FLANGE BOLT	96000-06040-K	2
17-19	HEX FLANGE BOLT	96000-08014-K	2
17-20	PLAIN WASHER	94101-0618010-K	4
17-21	NYLON INSEKT LOCK NUT	90350-05000-K	2
17-22	ANTI-VIBRATION RUBBER	81113-153-000	2

ERING

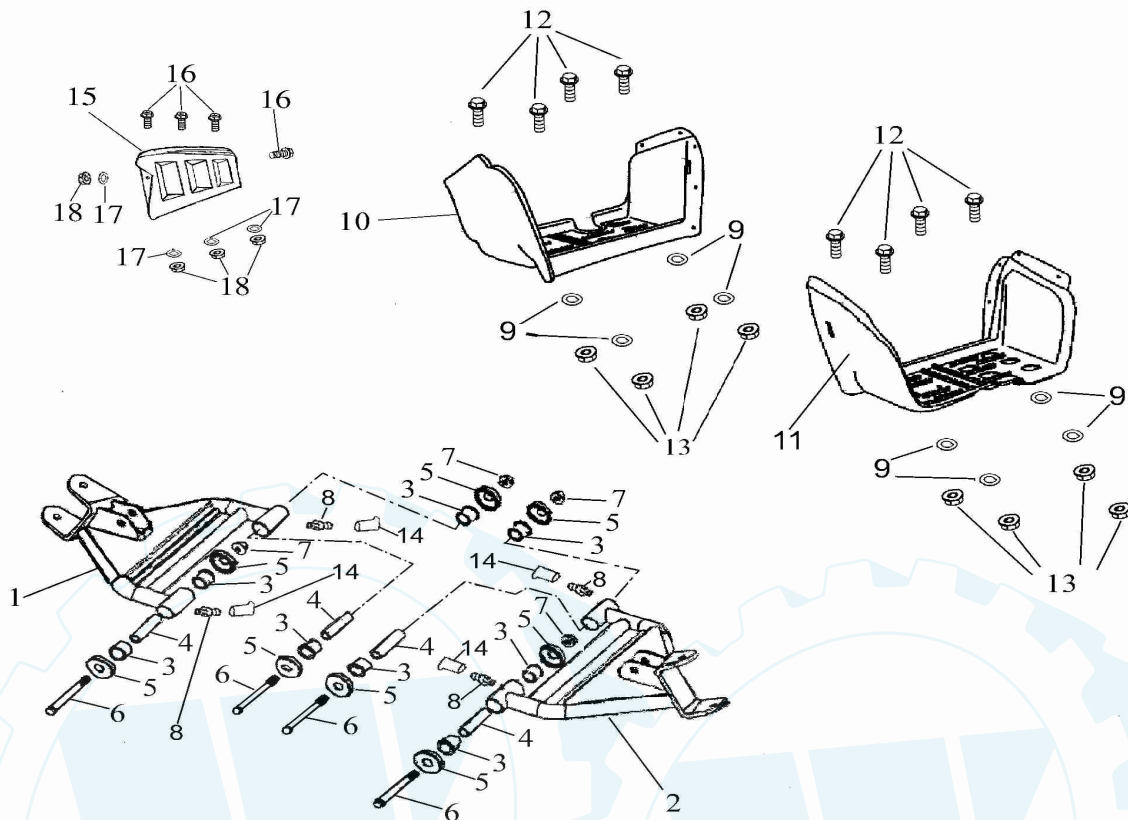
BUMPER FRONT AND REAR RACK



P/N	DESCRIPTION	PART NO.	Q'TY
17-1	BUMPER	50450-156-001	1
17-2	BUMPER COVER	50461-159-000	1
17-3	FRONT RACK	81100-156-000	1
17-4	REAR IRON RACE	81111-159-000	1
17-5	REAR RACK	81110-156-000	1
17-6	PLAIN PHILLIPS BOLT WITH	96318-06032-K	10
17-7	NYLON INSEKT LOCK NUT	90350-06000-K	10
17-8	PLAIN PHILLIPS BOLT	93100-05016-K	2
17-9	HEX FLANGE BOLT	96000-06016-K	7
17-10	HEX FLANGE BOLT	96000-08012-K	4
17-11	TAPPING SCREW	93903-05016-K	4
17-12	FRONT RAILING	81101-156-000	1
17-13	REAR RAILING	81112-156-000	1
17-14	PLAIN WASHER	94101-0613010-K	10
17-15	HEX FLANGE NUT	94050-06000-K	2
17-16	HEX FLANGE BOLT	96000-06016-K	2
17-17	BUMPER	50455-156-001	1
17-18	HEX FLANGE BOLT	96000-06040-K	2
17-19	HEX FLANGE BOLT	96000-08014-K	2
17-20	PLAIN WASHER	94101-0618010-K	4
17-21	NYLON INSEKT LOCK NUT	90350-05000-K	2
17-22	ANTI-VIBRATION RUBBER	81113-153-000	2

ERING

SWING ARM, FOOTREST

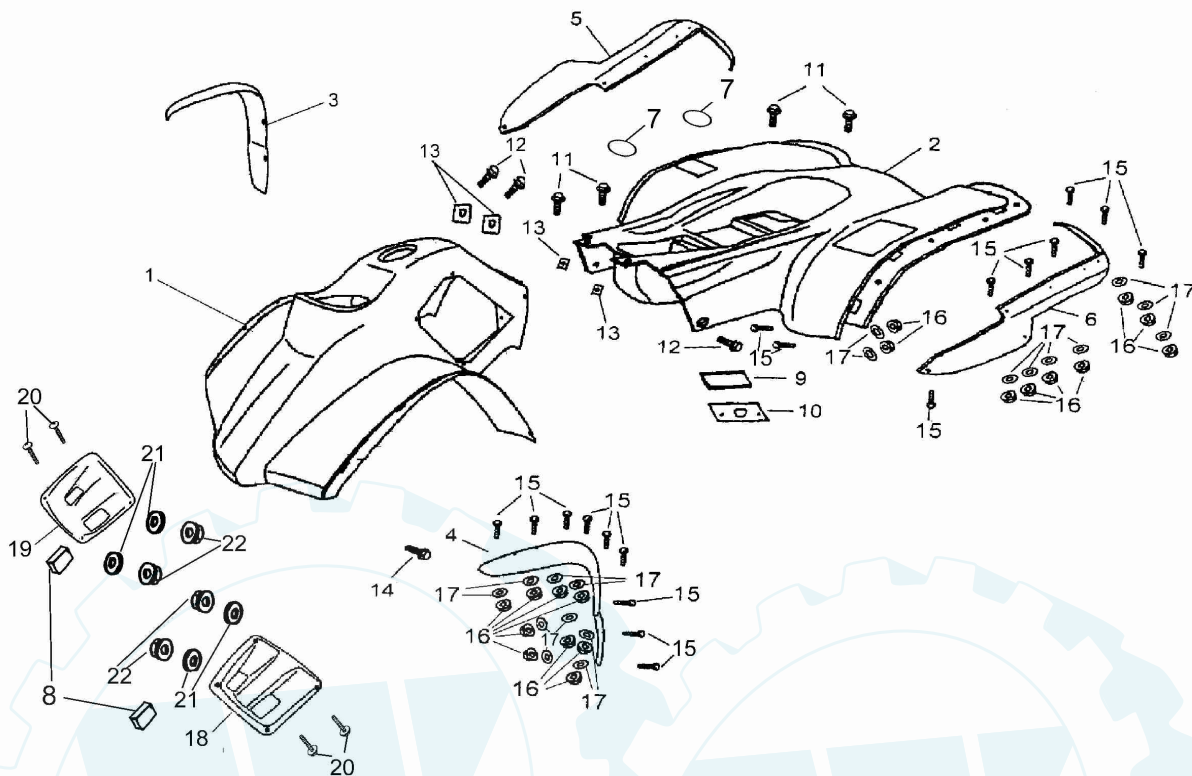


P/N	DESCRIPTION	PART NO.	Q'TY
18-1	RIGHT SUSPENSION ARM	53030-156-001	1
18-2	SUSPENSION ARM	53130-156-001	1
18-3	SUSPENSION ARM BUSH	53135-156-000	8
18-4	SPACER TUBE	53140-156-000	4
18-5	DUST PROOF RUBBER	52426-156-000	8
18-6	HEX FLANGE BOLT	96000-10075-KL	4
18-7	HEX FLANGE NUT	94050-10000-C	4
18-8	GREASE VALVE	51300-131-000	4
18-9	PLAIN WASHER	94101-0613010-K	8
18-10	RIGHT FOOTREST	64300-156-002	1
18-11	LEFT FOOTREST	64310-156-001	1
18-12	HEX BOLT WITH WASHER	92000-06016-K	8
18-13	NYLON INSERT LOCK NUT	90350-06000-K	8
18-14	GREASE VALVE RUBBER CAP	51301-131-000	4
18-15	HEAT SHIELD	50480-156-000	1
18-16	PAN PHILLIPS BOLT	93100-05016-K	4
18-17	PLAIN WASHER	94101-0514010-K	4
18-18	NYLON INSERT LOCK NUT	90350-05000-K	4

ERING



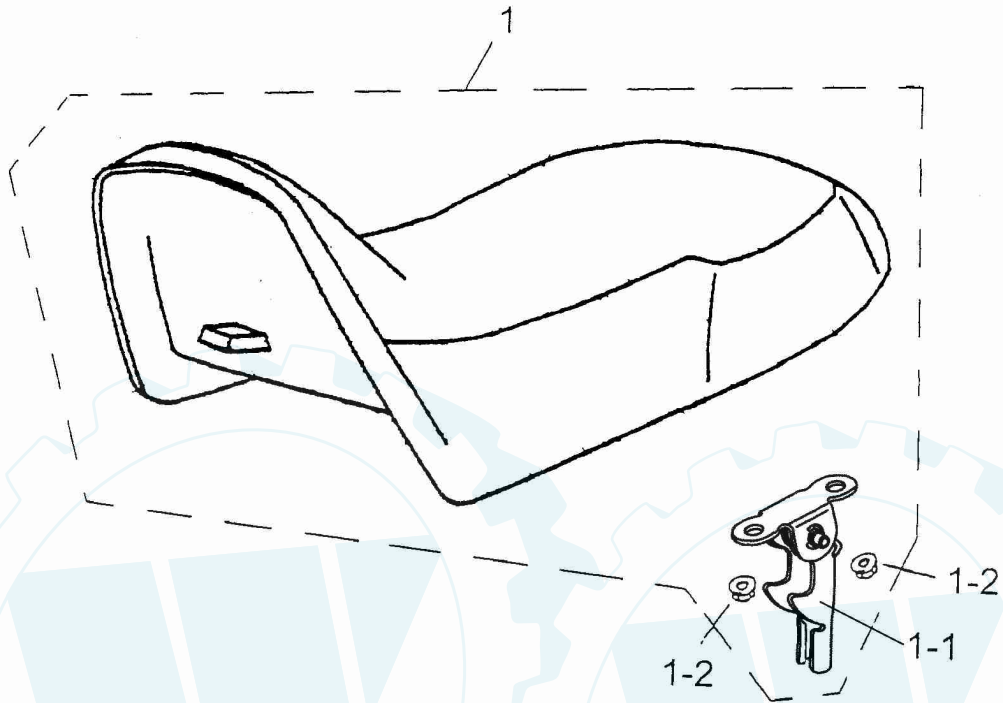
FENDER



P/N	DESCRIPTION	PART.NO.	Q"TY
19-1	FRONT FENDER (GREEN)	61100-156-G606	1
19-1	FRONT FENDER (BLUE)	61100-156-B385	1
19-2	REAR FENDER (GREEN)	61000-156-G606	1
19-2	REAR FENDER (BLUE)	61000-156-B385	1
19-3	FRONT RH. MUDFLAP	61105-156-000	1
19-4	FRONT LH. MUDFLAP	61110-156-000	1
19-5	REAR RH. MUDFLAP	61006-159-000	1
19-6	REAR LH. MUDFLAP	61011-159-000	1
19-7	O-RING	91313-131-000	2
19-8	ANTI-VIBRATION RUBBER	81113-153-000	2
19-9	BATTERY RUBBER	31510-131-000	1
19-10	PROTECTOR PAD	80140-131-000	1
19-11	HEX BOLT WITH PLAIN WASHER	92000-06016-K	4
19-12	WASHER	96318-06016-K	4
19-13	U PLATE NUT	90344-06000-C	4
19-14	HEX BOLT WITH FIX WASHER	92003-06016-K	2
19-15	PAN PHILLIPS BOLT	93100-05012-K	46
19-16	NYLON INSERT LOCK NUT	90350-05000-K	46
19-17	PLAIN WASHER	94101-0514010-K	46
19-18	LEFT DECORATE COVER	17660-156-000	1
19-19	RIGHT DECORATE COVER	17650-156-000	1
19-20	PAN PHILLIPS BOLT	93100-04016-K	4
19-21	PLAIN WASHER	94101-0412010-K	4
19-22	NYLON INSERT LOCK NUT	90350-04000-K	4

ERING

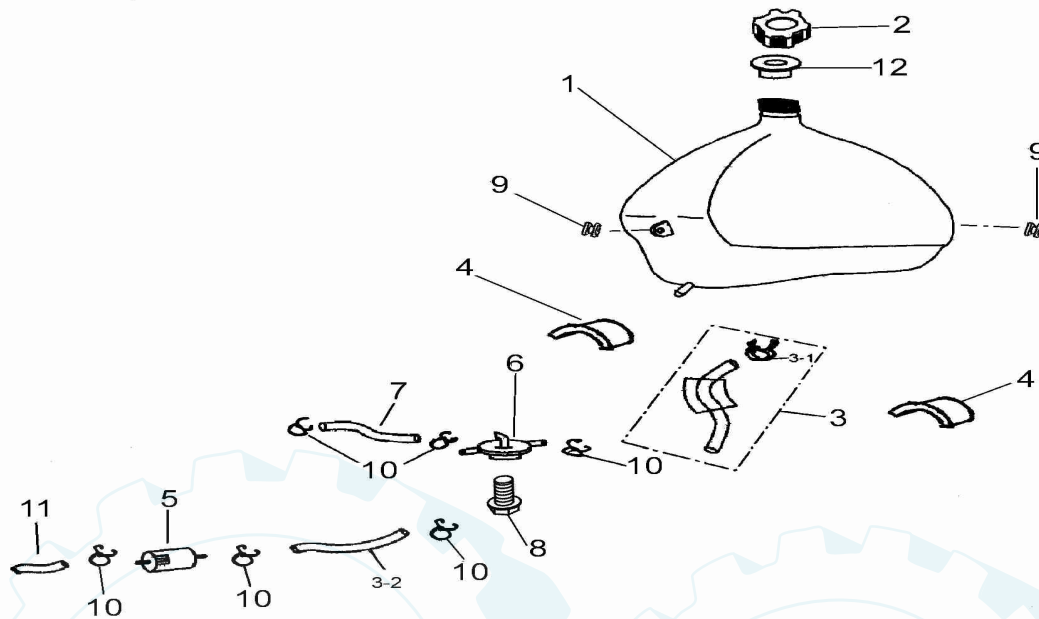
SEAT



P/N	DESCRIPTION	PART.NO.	Q"TY
20-1	SEAT ASS'Y ( BLUE/WHITE )	77200-159-00A	1
20-1	SEAT ASS'Y ( BROWN/BLACK )	77200-160-000	1
20-1-1	SEAT FIX HOOK	77210-131-000	1
20-1-2	HEX FLANGE NUT	94050-06000-C	2

ERING

FUEL TANK

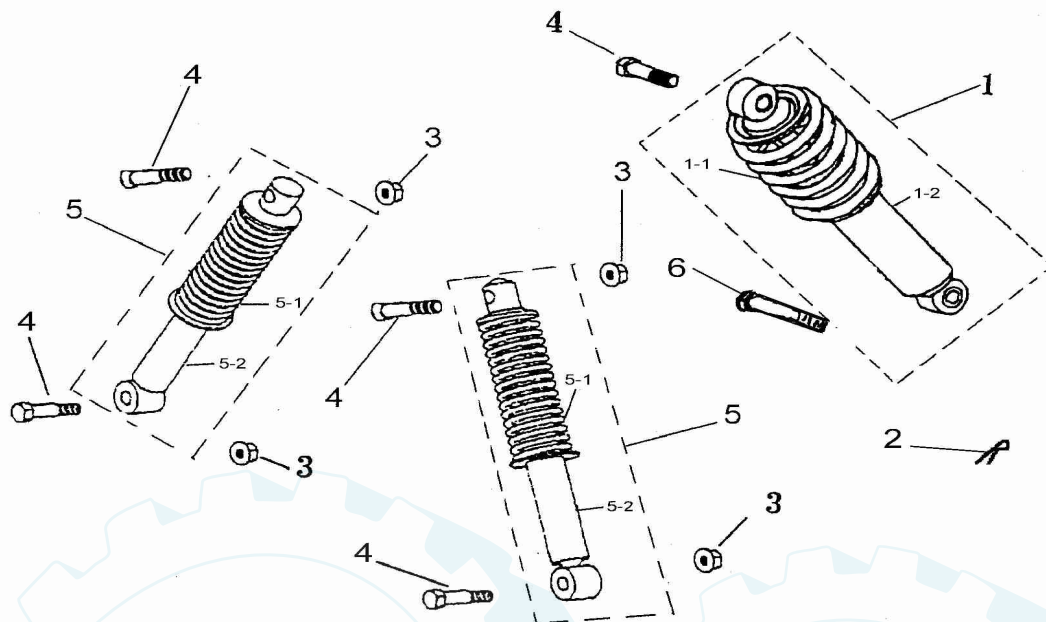


P/N	DESCRIPTION	PART.NO.	Q"TY
21-1	FUEL TANK COMP	17500-156-000	1
21-2	FUEL TANK CAP	17620-156-000	1
21-2-1	BREATHER SHEET	17621-156-000	1
21-3	FUEL TUBE A	94401-05009-1	1
21-3-1	CLIP	94510-12000	1
21-3-2	FUEL TUBE B	94400-05009-100	1
21-4	FUEL TANK RUBBER MAT	64319-131-000	2
21-5	FUEL FILTER ASSY	16952-111-000	1
21-6	COCK ASS'Y,FUEL AUTO	16950-111-000	1
21-7	COCK ASS'Y,FUEL AUTO	94400-04008-165	1
21-8	HEX FLANGE BOLT	96000-06016-K	1
21-9	GROMMER	83574-131-000	2
21-10	CLIP	94510-08000	6
21-11	FUEL TUBE C	94401-04008	1
21-12	BREATHER FILM	17625-131-001	1

ERING



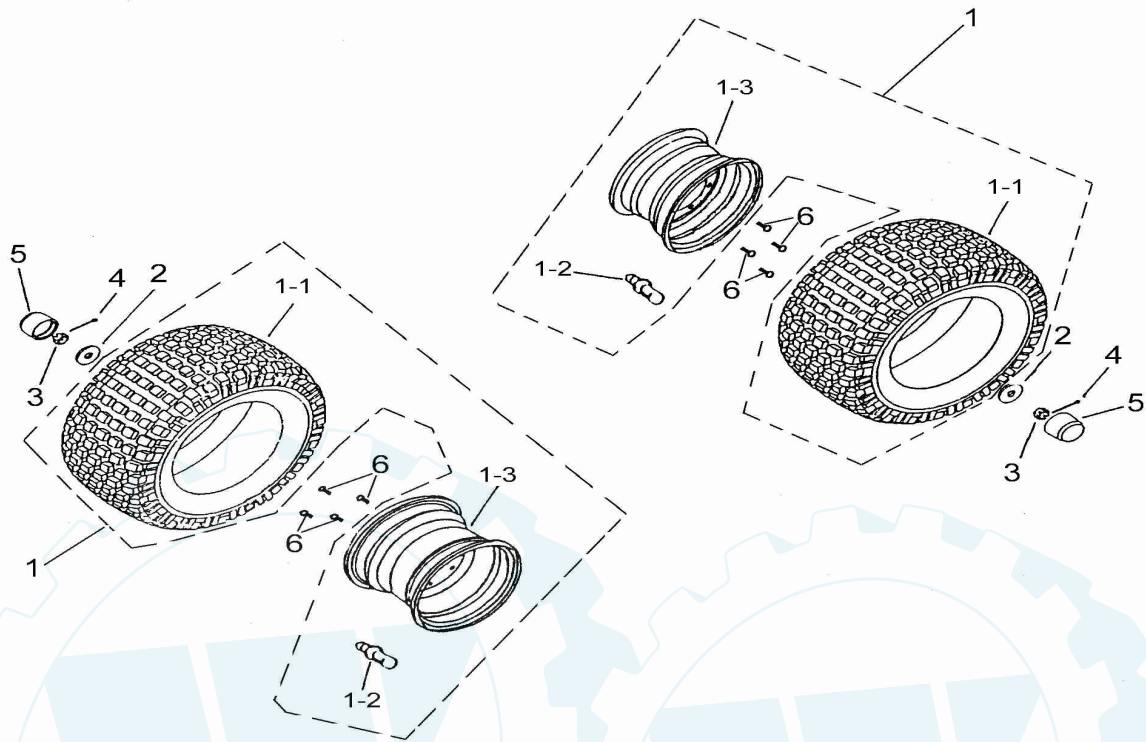
SUSPENSION



P/N	DESCRIPTION	PART.NO.	Q"TY
22-1	REAR SUSPENSION	52400-156-001	1
22-1-1	REAR SUSPENSION SPRING	52401-156-001	1
22-1-2	REAR SUSPENSION INNER TUBE	52402-156-000	1
22-2	COTTER PIN	94201-24190	1
22-3	HEX FLANGE NUT	94050-10000-C	4
22-4	HEX FLANGE NUT	96000-10040-KL	5
22-5	FRONT SUSPENSION	51100-156-001	2
22-5-1	FRONT SUSPENSION SPRING	51101-156-000	2
22-5-2	FRONT SUSPENSION INNER TUBE	51102-156-000	2
22-6	REAR SUSPENSION FIX AXLE	52415-156-000	1

ERING

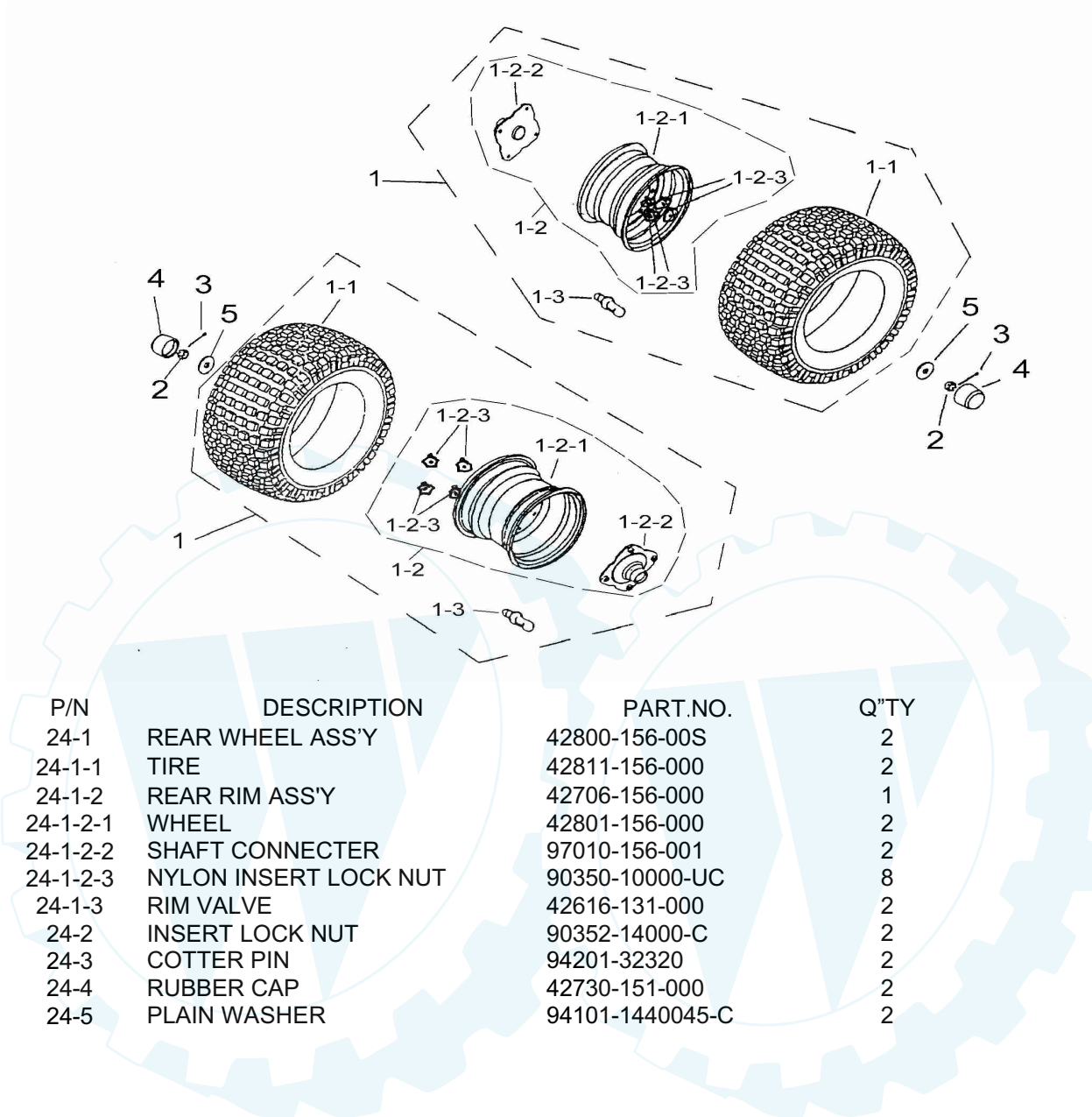
FRONT WHEEL



P/N	DESCRIPTION	PART.NO.	Q"TY
23-1	FRONT WHEEL ASS'Y	42700-156-00R	2
23-1-1	TIRE	42711-156-000	2
23-1-2	RIM VALVE	42616-131-000	2
23-1-3	WHEEL	42701-156-000	2
23-2	PLAIN WASHER	94102-1440045-C	2
23-3	INSERT LOCK NUT	90352-14000-C	2
23-4	COTTER PIN	94201-32320	2
23-5	RUBBER CAP	42730-151-000	2
23-6	NYLON INSERT LOCK NUT	90350-10000-UC	8

ERING

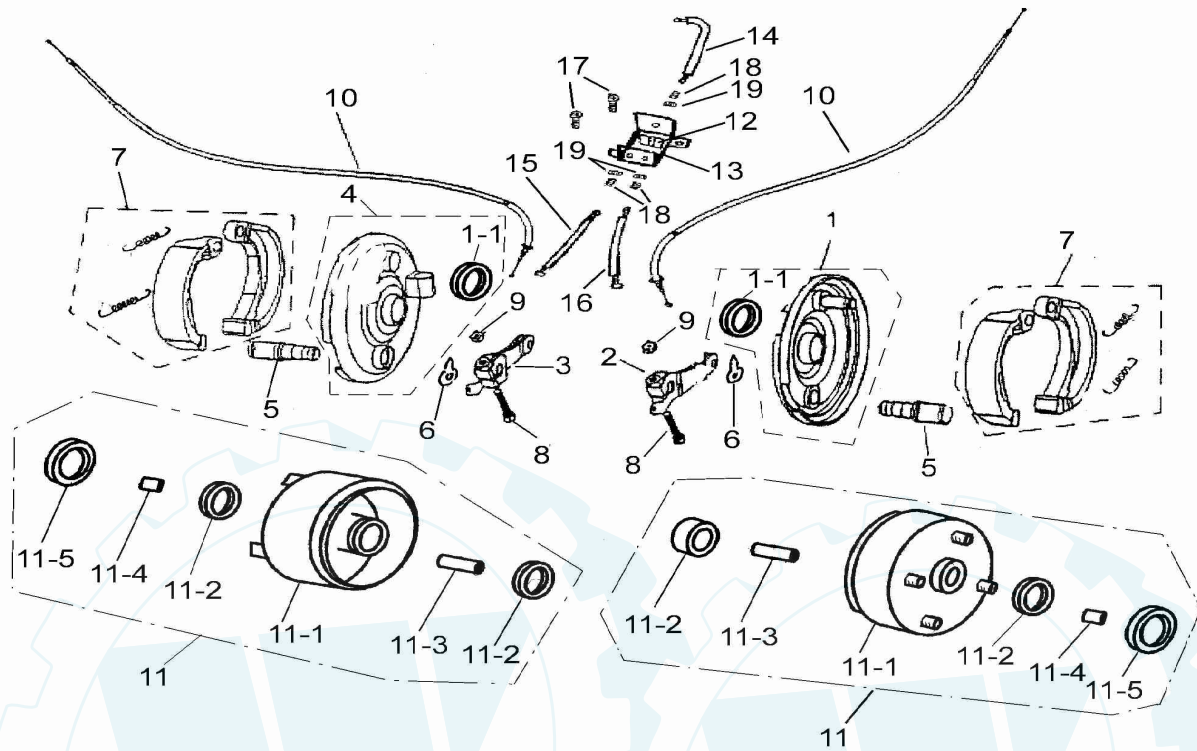
REAR WHEEL



P/N	DESCRIPTION	PART.NO.	Q'TY
24-1	REAR WHEEL ASS'Y	42800-156-00S	2
24-1-1	TIRE	42811-156-000	2
24-1-2	REAR RIM ASS'Y	42706-156-000	1
24-1-2-1	WHEEL	42801-156-000	2
24-1-2-2	SHAFT CONNECTER	97010-156-001	2
24-1-2-3	NYLON INSERT LOCK NUT	90350-10000-UC	8
24-1-3	RIM VALVE	42616-131-000	2
24-2	INSERT LOCK NUT	90352-14000-C	2
24-3	COTTER PIN	94201-32320	2
24-4	RUBBER CAP	42730-151-000	2
24-5	PLAIN WASHER	94101-1440045-C	2

ERING

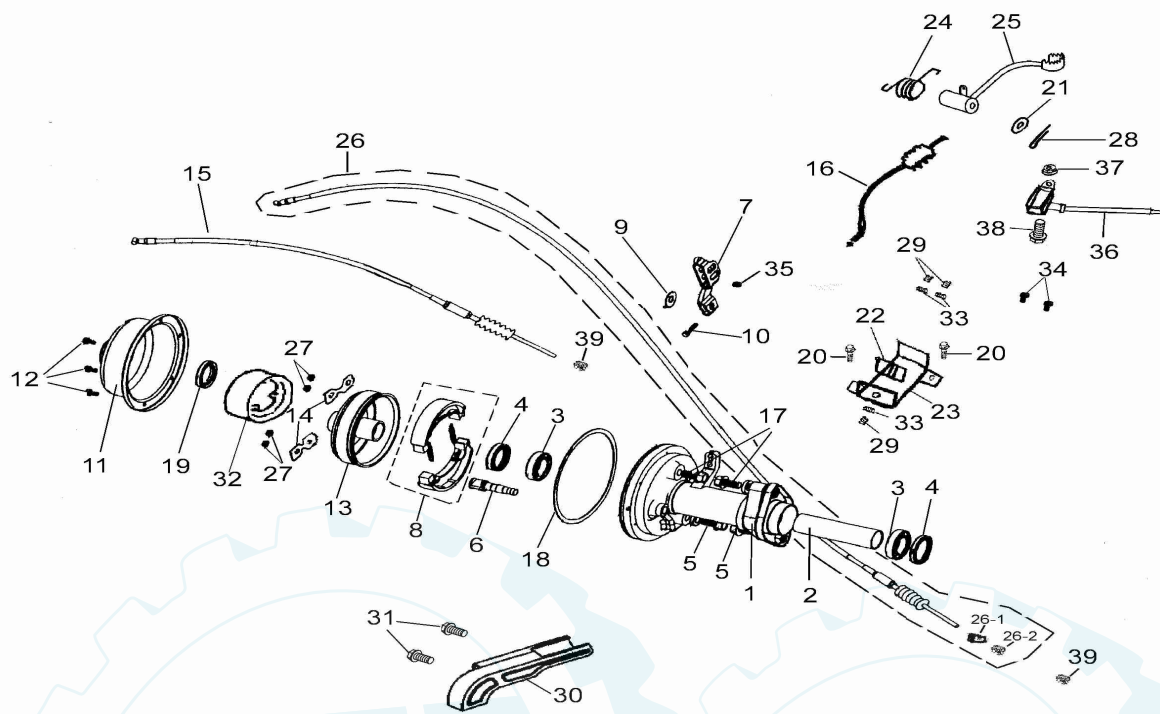
FRONT BRAKE DISK SYSTEM



P/N	DESCRIPTION	PART.NO.	Q"TY
25-1	FRONT BRAKE PLATE (L)	45010-156-001	1
25-1-1	OIL SEAL	96500-4052060	2
25-2	FRONT BRAKE ARM (L)	45410-159-000	1
25-3	FRONT BRAKE ARM (R)	45409-159-000	1
25-4	FRONT BRAKE PLATE (R)	45020-156-001	1
25-5	FRONT BRAKE CAM SHAFT	45141-156-000	2
25-6	BRAKE GUIDE	45142-156-000	2
25-7	BRAKE SHOE COMP	43120-111-00C	2
25-8	HEX BOLT	96000-06032-C	2
25-9	HEX NUT	94001-06000-C	2
25-10	FRONT BRAKE CABLE	45450-156-001	2
25-11	FRONT BRAKE DRUM ASS'Y	45005-156-000	2
25-11-1	FRONT BRAKE DRUM	45008-156-000	2
25-11-2	BEARING	96100-6003LU	2
25-11-3	INSIDE SPACER COLLAR	44311-156-000	2
25-11-4	OUTSIDE SPACER COLLAR	44312-156-000	2
25-11-5	OIL SEAL	96500-2335060	2
25-12	CONNECTER WIRE LEVELR	45452-133-000	1
25-13	CONNECTER WIRE SEAT	45453-133-000	1
25-14	CABLE	45454-159-000	1
25-15	R.FRONT PEDAL BRAKE CABLE	45455-159-000	1
25-16	L.FRONT PEDAL BRAKE CABLE	45457-159-000	1
25-17	FLAT HEAD PHILLIPS BOLT	93902-06008-B	2
25-18	INSERT BOLT	45421-133-000	3
25-19	INSERT NUT	45422-133-000	3

ERING

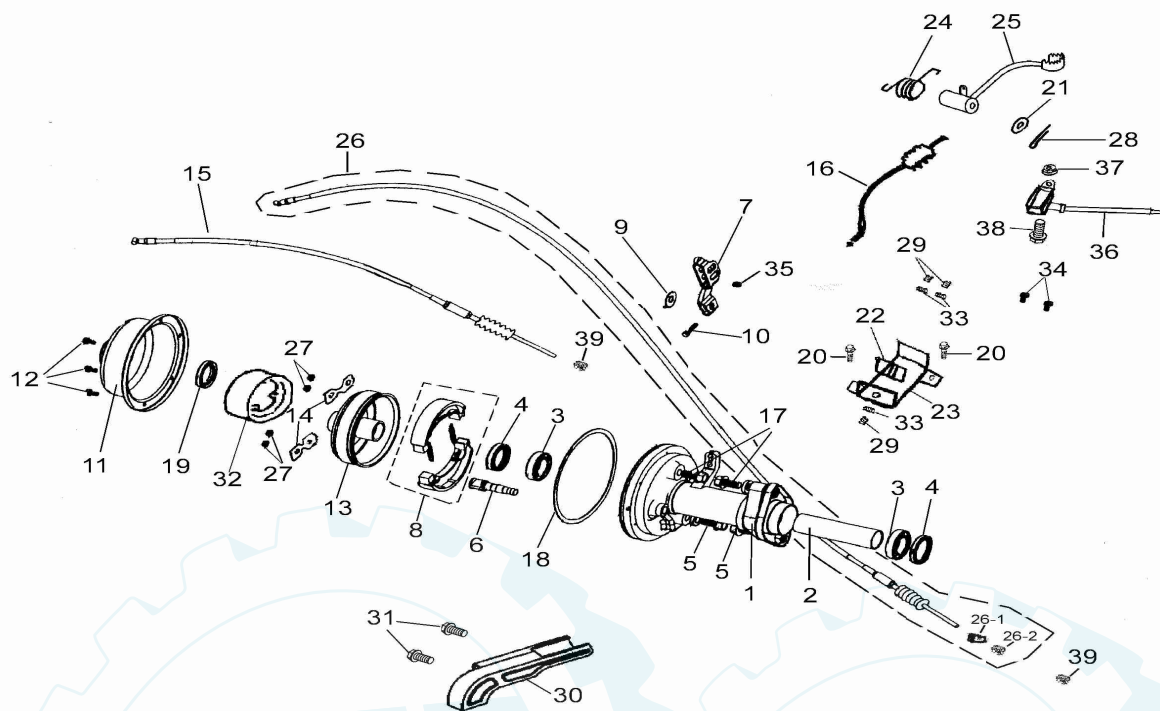
REAR BRAKE DISK SYSTEM



P/N	DESCRIPTION	PART.NO.	Q"TY
26-1	REAR WHEEL AXLE FIX SEAT	42805-159-000	1
26-2	SPACER COLLAR	42810-156-000	1
26-3	BEARING	96100-6007ZZ	2
26-4	OIL SEAL	96500-426208	2
26-5	HEX FLANGE BOLT	96000-12038-C	2
26-6	REAR BRAKE CAM SHAFT	43141-156-000	1
26-7	REAR BRAKE ARM	43410-159-001	1
26-8	REAR BRAKE SHOE COMP	43120-156-001	1
26-9	BRAKE GUIDE	45144-156-000	1
26-10	HEX FLANGE BOLT	96000-06032-10C	1
26-11	REAR BRAKE DRUM COVER	43519-156-000	1
26-12	PAN PHILLIPS BOLT	93501-06010-K	3
26-13	REAR BRAKE DRUM	43520-156-000	1
26-14	BRAKE DRUM FIX WASHER	43522-156-000	2
26-15	REAR BRAKE CABLE-HAND	43449-159-000	1
26-16	REAR BRAKE CABLE-FOOT	43451-159-000	1
26-17	HEX FLANGE BOLT	96000-12032-C	2
26-18	O-RING	91321-156-000	1
26-19	OIL SEAL	96500-355007	1
26-20	FLAT HEAD PHILLIPS BOLT	93902-06008-B	2
26-21	PLAIN WASHER	94101-1225020-C	1
26-22	CONNECTER WIRE LEVELR	45452-133-000	1
26-23	CONNECTER WIRE SEAT	45453-133-000	1
26-24	SPRING	43421-156-000	1
26-25	PENDAL BRAKE LEVER	43454-133-000	1
26-26	REAR BRAKE CABLE	43450-159-000	1
26-26-1	REAR BRAKE FIXTUBE	95015-31001	2
26-26-2	BRAKE ADJUST NUT	95015-41000	2
26-27	HEX NUT	94001-08000-K	4
26-28	COTTER PIN	94201-24190	1
26-29	INSERT BOLT	45421-133-000	3

ERING

REAR BRAKE DISK SYSTEM

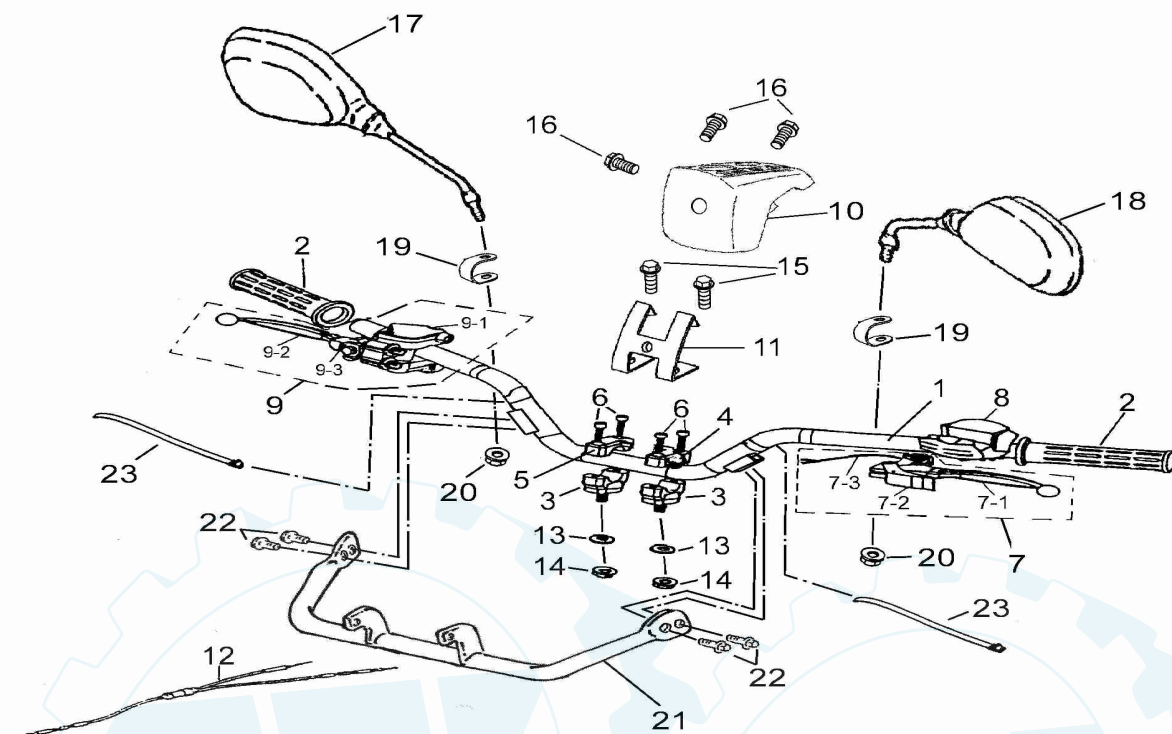


26-30	REAR COVER	40550-156-002	1
26-31	HEX FLANGE BOLT	96000-08012-K	2
26-32	NOISE ELIMINATION RING	43524-156-000	1
26-33	INSERT NUT	45422-133-000	3
26-34	HEX BOLT WITH FIX WASHER	92000-06016-K	2
26-35	HEX NUT	94001-06000-C	1
26-36	TOUCH SWITCH	34912-156-00A	1
26-37	HEX NUT	94001-03000-K	1
26-38	PAN PHILLIPS BOLT WITH	93501-03010-K	1
26-39	HEX NUT	94001-06000-C	2

ERING



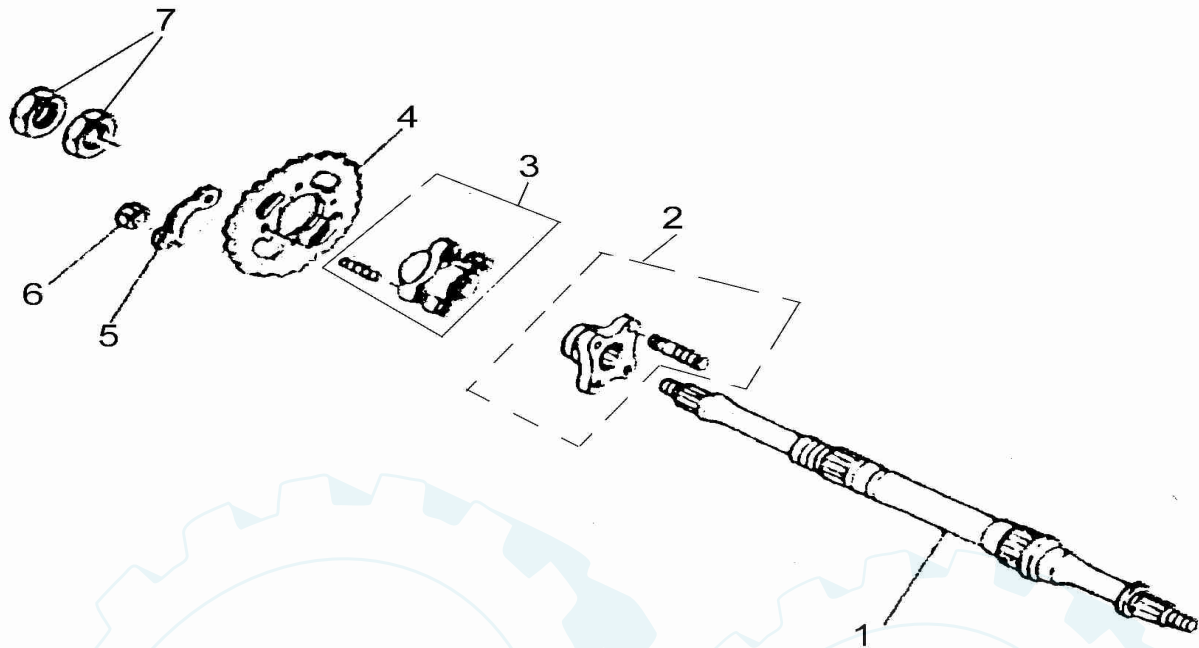
## HANDLE STEERING COMP



P/N	DESCRIPTION	PART.NO.	Q"TY
27-1	HANDLE BAR COMP	53100-159-000	1
27-2	HANDLE GRIP	53165-131-000	2
27-3	HANDLE BAR CLAMP SADDLE	53200-131-000	2
27-4	HANDLE BAR CLAMP COVER (L)	53210-131-000	1
27-5	HANDLE BAR CLAMP COVER (R)	53220-131-000	1
27-6	HEX SOCKET BOLT	91000-06025-K	4
27-7	LEFT LEVER ASS'Y	53171-156-000	1
27-7-1	L. SIDE LEVER	53178-131-000	1
27-7-2	HAND BRAKE PIECE	53179-131-000	1
27-7-3	BRAKE SENSOR SWITCH CABLE	53173-131-000	1
27-8	L. SWITCH ASS'Y	35151-133-000	1
27-9	RIGHT LEVER ASS'Y	53172-131-00A	1
27-9-1	R. SIDE LEVER SEAT	53176-131-000	1
27-9-2	R. SIDE LEVELR	53175-131-000	1
27-9-3	CABLE STABILIZER	53177-131-000	1
27-10	HANDLE BAR UPPER POD	64213-159-000	1
27-11	PROTECT COVER FIX PLATE	53310-156-000	1
27-12	THROTTLE CABLE	17910-156-000	1
27-13	PLAIN WASHER	94101-1022020-C	2
27-14	NYLON INSERT LOCK NUT	90350-10000-C	2
27-15	HEX FLANGE BOLT	96000-06012-K	2
27-16	PAN PHILLIPS BOLT	93100-05012-K	3
27-17	R.BACK VIEW MIRROR	88110-131-000	1
27-18	L.BACK VIEW MIRROR	88120-131-000	1
27-19	REARVIEW FIXED PIECE	88130-131-000	2
27-20	NYLON INSERT LOCK NUT	90350-08000-C	2
27-21	HEAD- LIGHT SUPPORT ROD	53112-159-000	1
27-22	HEX FLANGE BOLT	96000-06012-K	4
27-23	STRAP	90768-151-000	2

ERING

REAR WHEEL AXLE

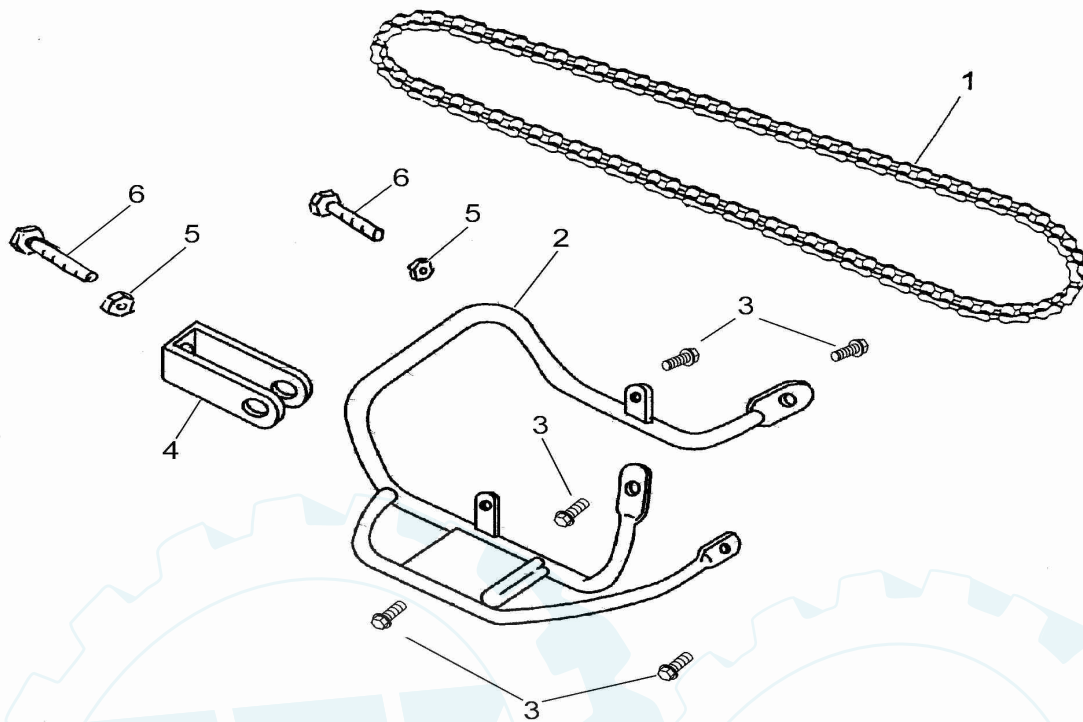


P/N	DESCRIPTION	PART.NO.	Q"TY
28-1	REAR AXLE	97000-156-001	1
28-2	CONNECTING BRAKE DRUM SEAT	97050-156-000	1
28-3	FINAL DRIVE SPROCKET HOLDER	41210-156-000	1
28-4	FINAL DRIVE SPROCKET	41201-156-000	1
28-5	FINAL DRIVE SPROCKET WASHER	41202-156-000	2
28-6	HEX NUT	94002-10000-C	4
28-7	HEX NUT	94001-33000-K	2

ERING



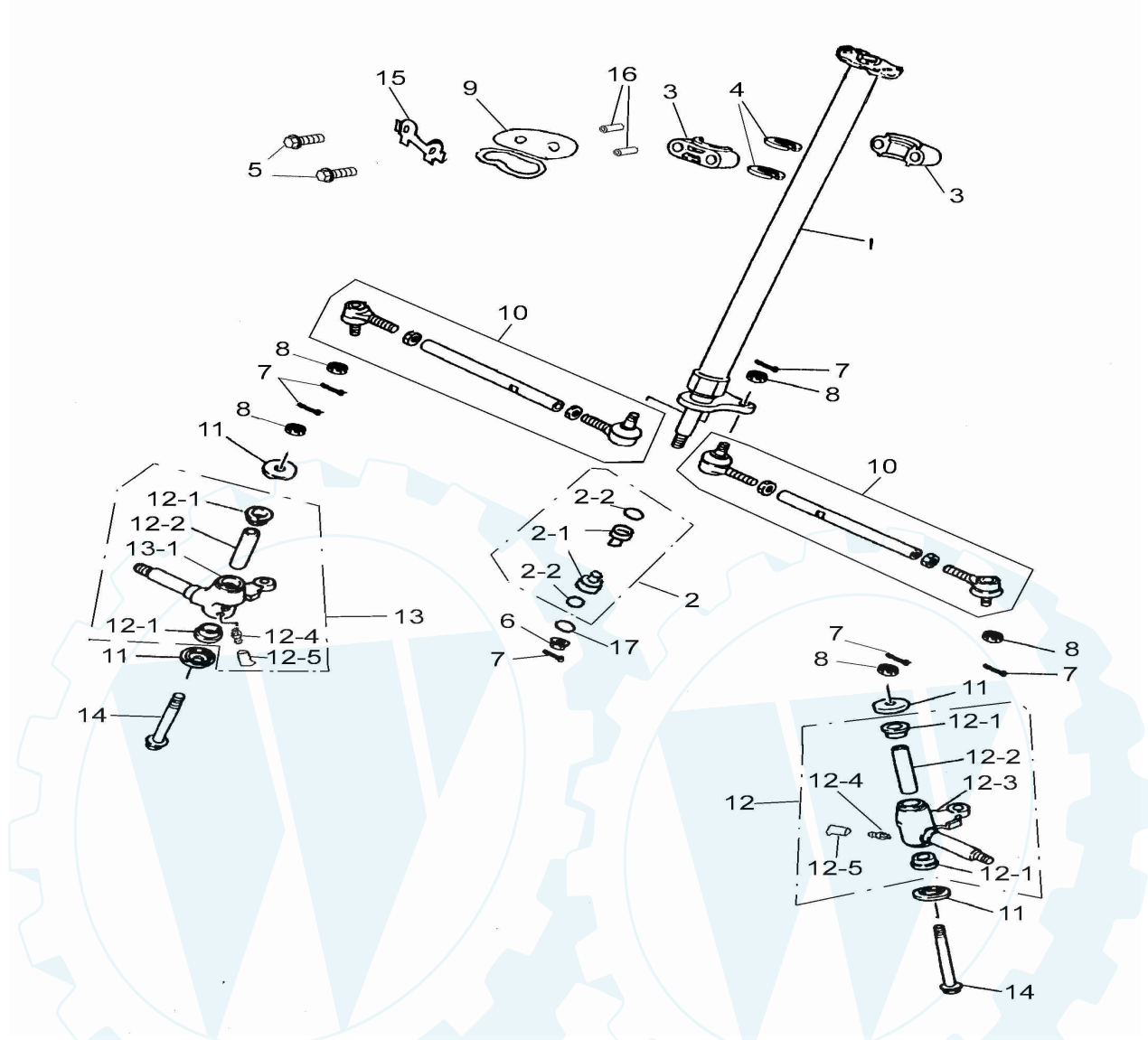
CHAIN



P/N	DESCRIPTION	PART.NO.	Q"TY
29-1	PRIVE CHAIN ASS'Y	40530-159-000	1
29-2	PROTECT COVER	40520-156-000	1
29-3	HEX FLANGE BOLT	96000-08016-K	5
29-4	ADJUSTER , CHAIN	40543-156-000	1
29-5	HEX FLANGE NUT	94050-08000-C	2
29-6	HEX BOLT	92000-08060-B	2

ERING

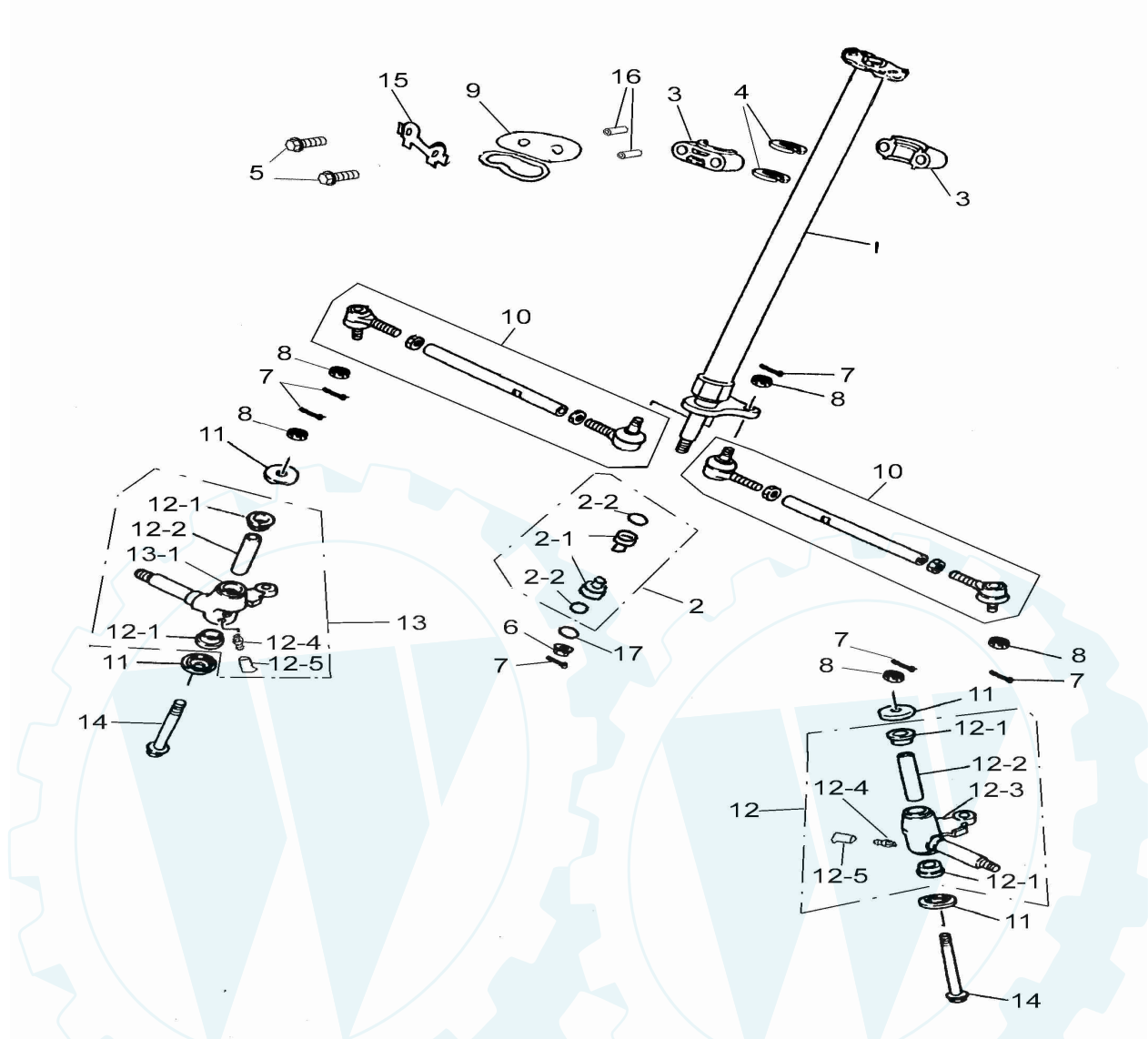
STEERING



P/N	DESCRIPTION	PART.NO.	Q"TY
30-1	STEERING SHAFT	51107-158-001	1
30-2	STEERING BEARING SEAT SET	51115-156-000	2
30-2-1	STEERING BEARING SEAT	51111-156-000	2
30-2-2	O-RING	91322-156-000	2
30-3	STEERING SHAFT HOLD	53500-156-000	2
30-4	STEERING SHAFT OIL SEAL	51220-156-000	2
30-5	HEX BOLT	92000-08060-B	2
30-6	HEX FLANGE NUT WITH SERRATIC	90350-14000-UC	1
30-7	COTTER PIN	94201-24190	7
30-8	INSERT LOCK NUT	90352-10000-C	6
30-9	CABLE FIX SEAT	51318-156-000	1
30-10	STEERING TIE-ROD ASS'Y	53410-156-000	2
30-11	DUST COVER	52424-156-000	4
30-12	KNUCKLE SET (L)	51325-156-001	1
30-12-1	KNUCKLE HOLD	51315-156-000	4
30-12-2	SPACER RING	51316-156-000	2
30-12-3	KNUCKLE (L)	51310-156-001	1
30-12-4	GREASE VALVE	51300-131-000	2
30-12-5	GREASE VALVE RUBBER CAP	51301-131-000	2

ERING

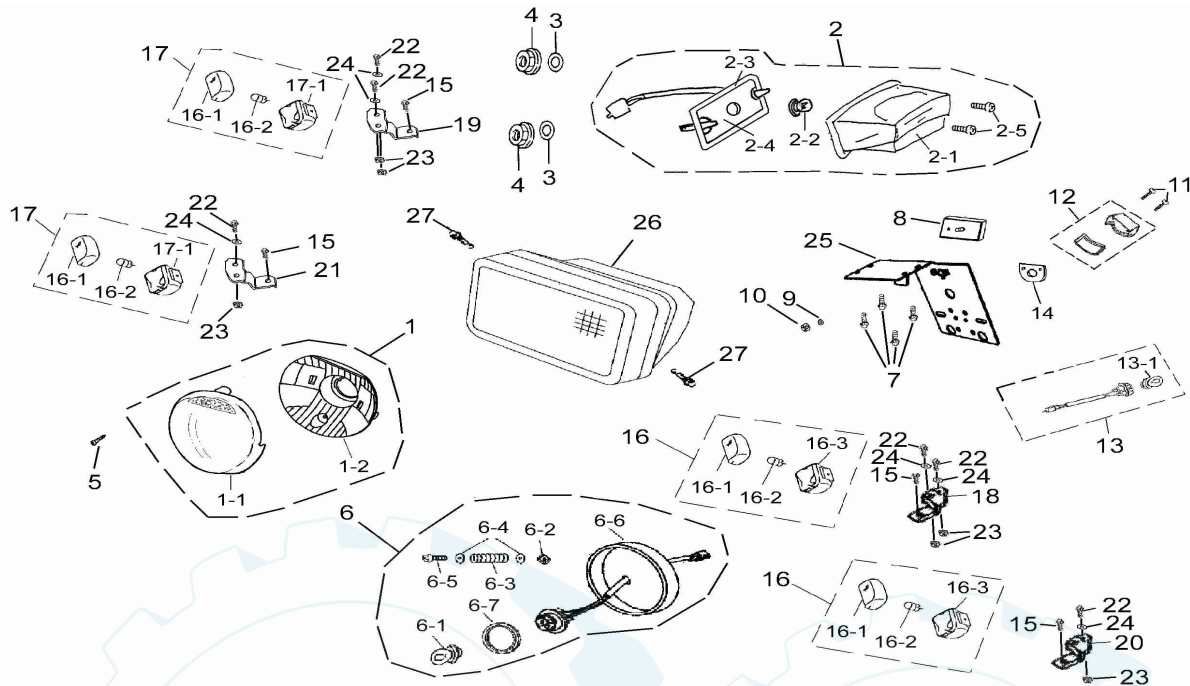
STEERING



30-13	KNUCKLE SET (R)	51330-156-001	1
30-13-1	KNUCKLE (R)	51320-156-001	1
30-14	HEX FLANGE BOLT WITH HOLD	96200-10105-K	2
30-15	SPRING WASHER	51319-156-000	1
30-16	SPACE RING	51317-156-000	2
30-17	PLAIN WASHER	94101-1022020-C	1

ERING

HEAD LIGHT , TAIL LIGHT

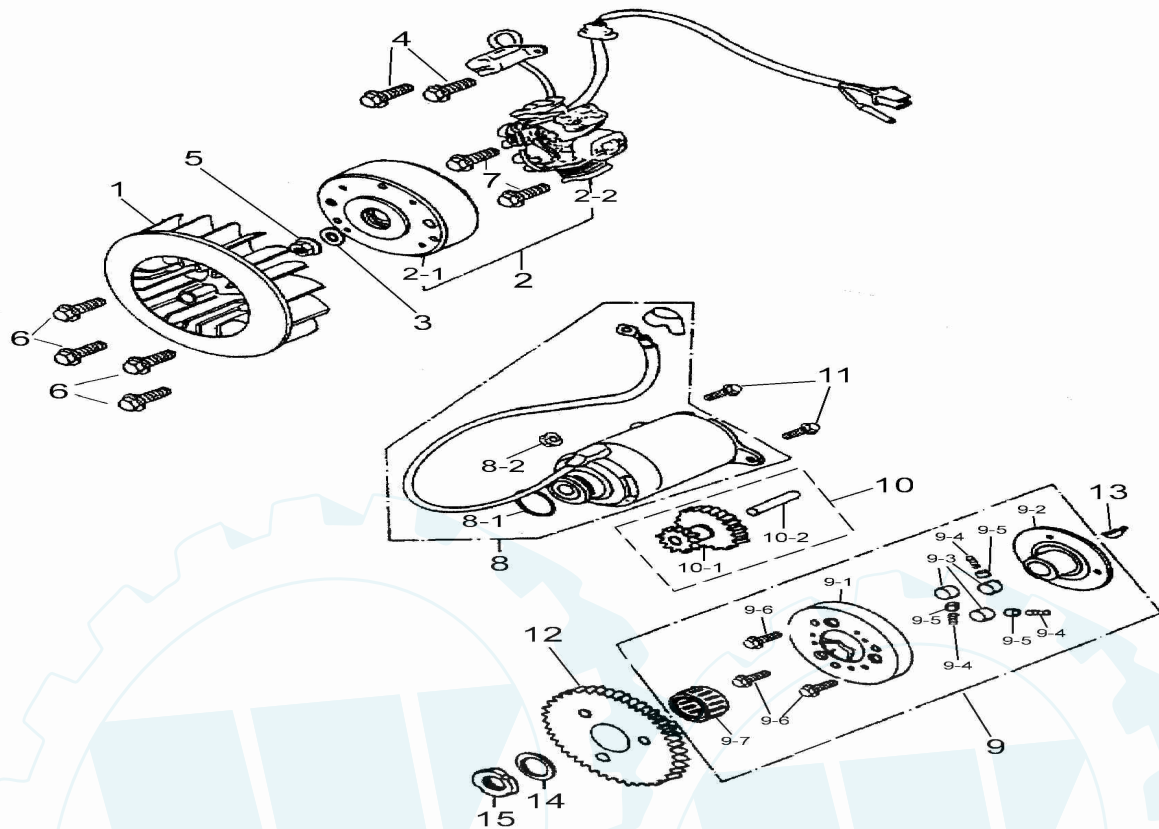


P/N	DESCRIPTION	PART.NO.	Q"TY
31-1	HEAD LIGHT ASS'Y	33112-156-000	2
31-1-1	HEAD LIGHT LENS	33103-156-000	2
31-1-2	HEAD LIGHT REFLECTOR	33104-156-000	2
31-2	TAIL LIGHT ASS'Y	33700-131-00A	1
31-2-1	TAIL LIGHT LENS	33702-131-00A	1
31-2-2	HEAD LIGHT BULB	33906-116-00A	1
31-2-3	WATERPROOF GASKET	33716-131-000	1
31-2-4	REAR LIGHT SOCKET	33711-131-00A	1
31-2-5	PAN PHILLIPS BOLT	93500-04035-SUS	2
31-3	PLAIN WASHER	94101-0619010-C	2
31-4	HEX FLANGE NUT	94050-06000-C	2
31-5	TAPPING SCREW	93901-04016-B	2
31-6	BULB ACCESSORIES ASS'Y	33106-156-000	1
31-6-1	BULB	33107-156-000	2
31-6-2	NUT	33108-156-000	2
31-6-3	SPRING	33109-156-000	2
31-6-4	PLAIN WASHER	94101-0613010-C	4
31-6-5	PAN PHILLIPS BOLT	93500-04028-B	2
31-6-6	LIGHT BULB SEAT SET	33111-156-000	2
31-6-7	RUBBER WASHER	33113-156-000	2
31-7	HEX FLANGE BOLT	96000-06012-K	4
31-8	REFLECCTOR	33741-131-000	1
31-9	PLAIN WASHER	94101-0519010-C	1
31-10	HEX FLANGE NUT	94050-05000-C	1
31-11	PAN PHILLIPS BOLT	93500-04040-K	2
31-12	LICENSE LIGHT COVER	33710-131-000	1
31-13	LICENSE LIGHT SEAT	33713-131-000	1
31-13-1	LICENSE BULB	33709-131-000	1
31-14	ANTI-WATER RUBBER	33707-131-000	1
31-15	HEX FLANGE BOLT	96000-05016-K	4
31-16	L. FRONT SIGNAT ASS'Y	33450-116-00A	2
31-16-1	FRONT SIGNAL COVER	33402-116-000	4
31-16-2	BULB	33905-116-000	4

ERING



GENERATOR,START MOTOR

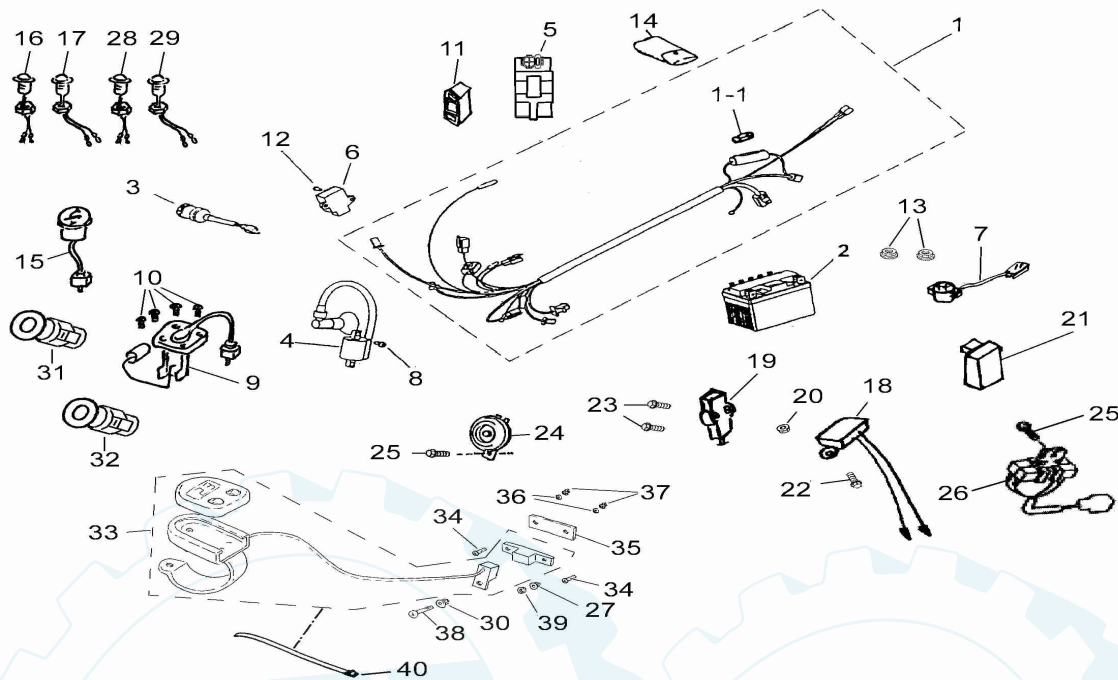


P/N	DESCRIPTION	PART.NO.	Q"TY
32-1	FAN	19510-119-000	1
32-2	GENERATOR ASS'Y	31100-119-000	1
32-2-1	GENERATOR FACE FLY WHEEL	31110-119-000	1
32-2-2	STATOR COMP	31120-119-000	1
32-3	PLAIN WASHER	94101-1225023-C	1
32-4	HEX BOLT	92000-05012-C	2
32-5	HEX FLANGE NUT	94050-12000-C	1
32-6	HEX FLANGE BOLT	96000-06018-8C	4
32-7	HEX FLANGE BOLT	96000-06020-8C	2
32-8	STARTING MOTOR ASS'Y	31200-119-000	1
32-8-1	OIL RING	31200-119-000-1	1
32-8-2	HEX FLANGE NUT	31200-119-000-2	1
32-9	STARTING CLUTCH ASS'Y	28410-119-000	1
32-9-1	CLUTCH COVER COMP	28120-119-000	1
32-9-2	FLANGE STARTING CLUTCH	28125-119-000	1
32-9-3	CLUTCH ROLLER	28411-119-000	3
32-9-4	CLUTCH SPRING	28413-119-000	3
32-9-5	CLUTCH GUIDER	28412-119-000	3
32-9-6	HEX SOCKET BOLT	91000-06012-C	3
32-9-7	NEEDLE BEARING	96200-283217	1
32-10	GEAR STARTER REDUCTION ASS'Y	28422-119-000	1
32-10-1	GEAR STARTER REDUCTION	28423-119-000	1
32-10-2	SHAFT STARTER REDUCTION GEA	96300-119-000	1
32-11	HEX FLANGE BOLT	96000-06018-8C	2
32-12	GEAR COMP STARTING CLUTCH	28220-119-000	1
32-13	SEMICYCLE KEY	90471-119-000	1
32-14	PLAIN WASHER	94101-2231025-C	1
32-15	NUT	94071-22000-C	1

ERING



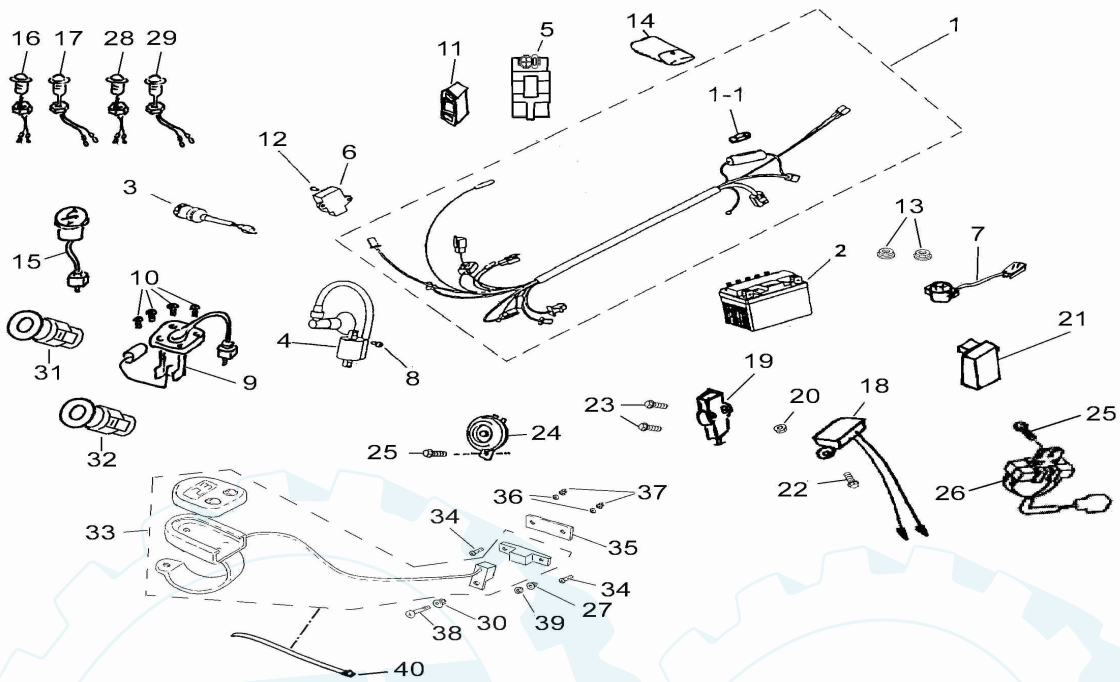
ELECTRICAL PARTS



P/N	DESCRIPTION	PART.NO.	Q"TY
33-1	MAIN WIRE ASS'Y	32100-159-001	1
33-1-1	FUSE	98200-156-000	1
33-2	BATTERY	31500-156-000	1
33-3	MAIN SWITCH ASS'Y	35100-131-00F	1
33-4	IGNITION COIL ASS'Y	30510-119-000	1
33-5	C.D.I. UNIT ASS'Y	30410-159-000	1
33-6	RECTIFIER&REGULATOR	31600-119-000	1
33-7	STARTER RELAY ASSY.	38501-119-000	1
33-8	HEX FLANGE BOLT	96000-05020-C	1
33-9	PETROL GAUGE ASS'Y	37800-156-000	1
33-10	HEX FLANGE BOLT	96000-05016-K	4
33-11	FIX RUBBER	30411-156-000	1
33-12	HEX FLANGE BOLT	96000-06012-K	1
33-13	HEX FLANGE NUT	94050-06000-K	2
33-14	TOOL BAG	50120-119-000	1
33-15	PETROL GUIDE ASS'Y	37802-156-000	1
33-16	NEUTRAL INDICATOR	34910-158-000	1
33-17	TROUBLE INDICATOR	34915-159-000	1
33-18	TOUCH SWITCH	34912-156-001	1
33-19	REVERSE INDICATOR SWITCH	34913-156-000	1
33-20	HEX NUT	94001-03000-K	1
33-21	INDICATOR CONTROL	34914-156-000	1
33-22	PAN PHILLIPS BOLT WITH WASHER	93501-03010-K	1
33-23	HEX SOCKET BOLT	91000-05016-K	2
33-24	HORN ( E-MARK )	38110-119-000	1
33-25	HEX WASHER FACE BOLT	96000-06012-K	2
33-26	RESISTOR	38601-111-000	1
33-27	NYLON INSERT LOCK NUT	90350-05000-K	1
33-28	LOW BEAM INDICATOR	34907-159-000	1
33-29	HIGH BEAM INDICATOR	34910-159-000	1
33-30	NYLON INSERT LOCK NUT	90350-08000-K	1
33-31	SIGNAL BUZZER	38301-111-000	1
33-32	SIGNAL WARNER	38302-133-000	1

ERING

ELECTRICAL PARTS

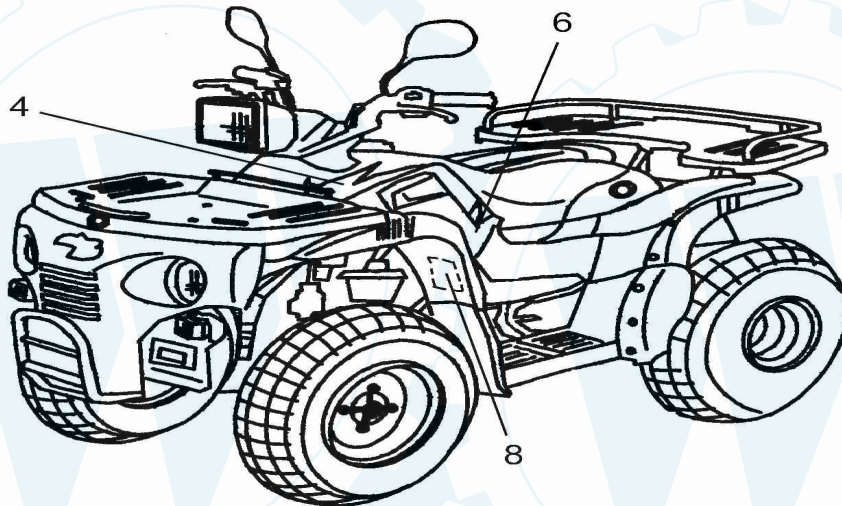
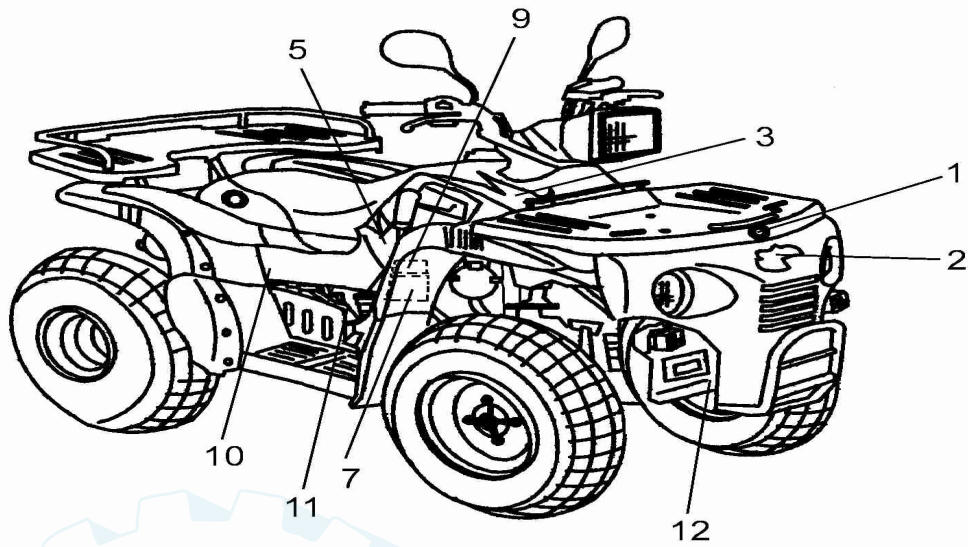


33-33	SPEEDOMETER ASS'Y	37200-159-000	1
33-34	PAN PHILLIPS BOLT	93500-04016-K	2
33-35	SPEEDOMETER FIXED PLATE	37201-159-000	1
33-36	PLAIN WASHER	94101-0412010-K	2
33-37	NYLON INSERT LOCK NUT	90350-04000-K	2
33-38	PAN PHILLIPS BOLT	93500-05016-K	1
33-39	PLAIN WASHER	94101-0514010-K	1
33-40	STRAP	90768-151-000	1

ERING



DECALS



P/N	DESCRIPTION	PART.NO.	Q"TY
34-1	DECAL-AEON	87711-131-000	1
34-2	DECAL - LG 180	87712-160-000	1
34-3	DECAL-FUEL TANK ( R )	87720-160-00F1	1
34-3	DECAL-FUEL TANK ( R )	87720-160-00F2	1
34-4	DECAL - FUEL TANK ( L )	87721-160-00F1	1
34-4	DECAL - FUEL TANK ( L )	87721-160-00F2	1
34-5	LG-180 STICKER (R)	87716-160-00F1	1
34-5	LG-180 STICKER (R)	87716-160-00F2	1
34-6	LG-180 STICKER (L)	87715-160-00F1	1
34-6	LG-180 STICKER (L)	87715-160-00F2	1
34-7	DECAL - WARING ( Y-16 )	87751-159-000	1
34-8	DECAL - WARING	87752-159-000	1
34-9	DECAL-REVERSE WARING	87754-156-000	1
34-10	DECAL - WARING CHAIN	87758-156-000	1
34-11	DECAL-TRANSMISSION	87759-156-000	1
34-12	DECAL-VIN CODE	87771-074029	1

ERING